

LBP-1000

PARTS CATALOG

REVISION 0

Canon

FEB. 2000

RY8-3316-000

PREFACE

This Parts Catalog contains listings of parts used in the LBP-1000 and the Paper Feeder. Diagrams are provided with the listings to aid the service technician in clearly identifying the item to be ordered.

Whenever ordering parts, consult this Parts Catalog for all of the information pertaining to each item. Be sure to include in the Parts Request the full item description, the item part number, and the quantity. The parts catalog may be revised if there is significant product modification. For minor product modifications, a Service Information Bulletin will be issued.

Canon Inc.

Peripheral Products Quality Planning Div.
Peripheral Products Technical Documentation Dept.
5-1, Hakusan 7-chome, Toride-shi, Ibaraki 302-8501, Japan

COPYRIGHT © 2000 CANON INC.

Printed in Japan

Imprimé au Japon

Use of this manual should be strictly supervised to avoid disclosure of confidential information.

LIST OF ORDER AND SERIAL NUMBERS

NAME	REMARKS	ORDER No.	SERIAL No.
LBP-1000	220-240V	R72-6038-000	KMK000001-
PAPER FEEDER		R75-5002-000	LKT000001-

CONTENTS

A. ASSEMBLY LOCATION DIAGRAM

- 100. EXTERNAL COVERS, PANELS, ETC.
- 101. TOP COVER ASS'Y
- 102. INTERNAL COMPONENTS 1
- 103. INTERNAL COMPONENTS 2
- 104. INTERNAL COMPONENTS 3
- 110. ENGINE CONTROLLER ASS'Y
- 115. VIDEO CONTROLLER ASS'Y

- 250. PRINTER DRIVE ASS'Y

- 300. CASSETTE
- 310. CASSETTE PAPER PICK-UP ASS'Y
- 320. REGISTRATION ASS'Y

- 810. FIXING ASS'Y

- 900. PCB ASS'Y LOCATION DIAGRAM

- PAPER FEEDER -

RA. ASSEMBLY LOCATION DIAGRAM

- R10. EXTERNAL COVERS, PANELS, ETC.
- R11. INTERNAL COMPONENTS

- R25. PAPER FEEDER DRIVE ASS'Y

- R30. CASSETTE

- R90. PCB ASS'Y LOCATION DIAGRAM

B. NUMERICAL INDEX

HOW TO USE PARTS LISTS

Assembly Location Diagrams. These diagrams show the locations of major assemblies of the machine. Their names are identified in rectangular boxes. Below each box is the number of the Figure which shows an exploded view of the assembly.

Finding a Parts Number. Refer to the Assembly Location Diagrams and find the Figure Number of the assembly of interest. Turn to the page(s), locate the part on the exploded view, and find its Key Number. Refer to the Parts List on the page facing the exploded view and find the Key Number, Part Number and quantity required for your type of machine.

Note : While looking for a Part Number, pay particular attention to the voltage listed in the SERIAL NUMBER/REMARKS column to ensure that the Part Number selected is for your type of machine. Immediate shipping or action regarding the part depends on using its correct Part Number.

Parts List pages. The Parts List pages contain the following columns and information.

(1) Figure and Key Number column. The first column shows the Figure Number of the illustration corresponding to the Parts List, and the Key Number that identifies the part on the illustration.

(2) Part Number. The second column shows the Part Number for the part. This Number must be used when ordering replacement parts or assemblies described in the description column do not have a Part Number and are not stocked.

Note : The last three digits (suffix) of the Parts Number are called the Revision Number. The Revision Number is changed if the part is modified. Information regarding such changes will be provided by Service Information Bulletins. These Bulletins should be read carefully.

(3) Rank N. Parts marked "N" are service parts, but are not stock items. They are produced on a special-order basis.

(4) Quantity column. The quantity shown in this column is the number of parts used in the Figure. However, the quantity listed for an assembly indicates the number of that assembly per machine. The letters in this column indicate that the quantity of a parts is not specified, allowing the use of the number of parts needed for assembly and that the quantity cannot be mentioned clearly.

(5) Description column. The Description column lists the description that should be used when ordering the part.

(6) Serial Number/Remarks. When there are differences in the specifications of power supply voltage, frequency, etc., the differences are described in words or indicated by one two or three letters in front of the serial number.

(Example)

Serial number ABC00001
 ↑ This is the descriptive indicator.

If a model modified and a part is no longer interchangeable, the serial number of machines for which the part can be used is shown in this column. If there is no indication the part can be used with all models.

Numerical Index. There is a Numerical Index at the end of this catalog; it lists in numerical order every Part Number contained in the Parts Lists. The Numerical Index contains the following columns and information.

(1) Part Number. The first column shows the Part Number.

(2) Figure and Key Number column. The second column lists the Figure and Key Number for each occurrence of the part in the illustrations.

FIGURE A ASSEMBLY LOCATION DIAGRAM

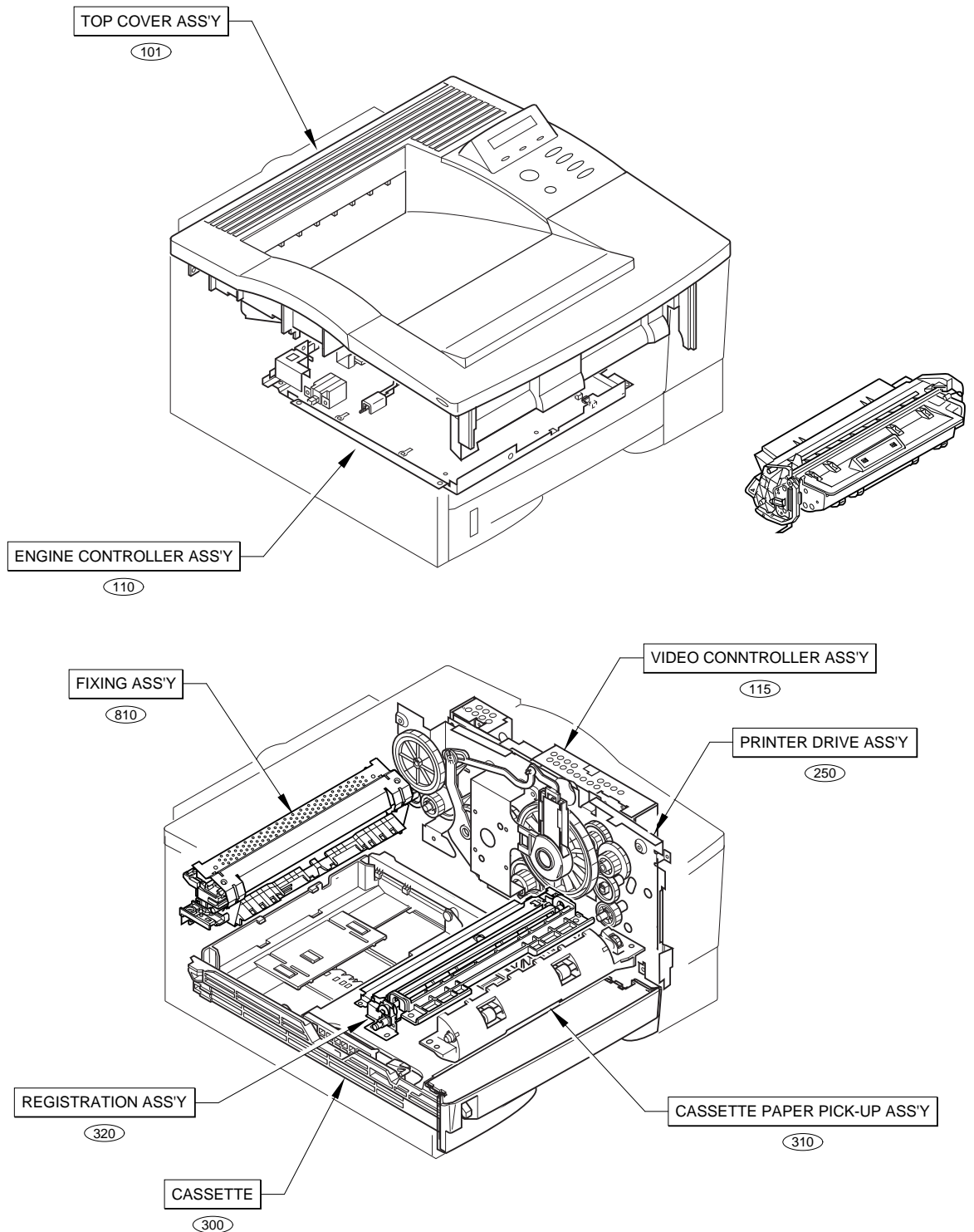


FIGURE 100 EXTERNAL COVERS, PANELS, ETC.

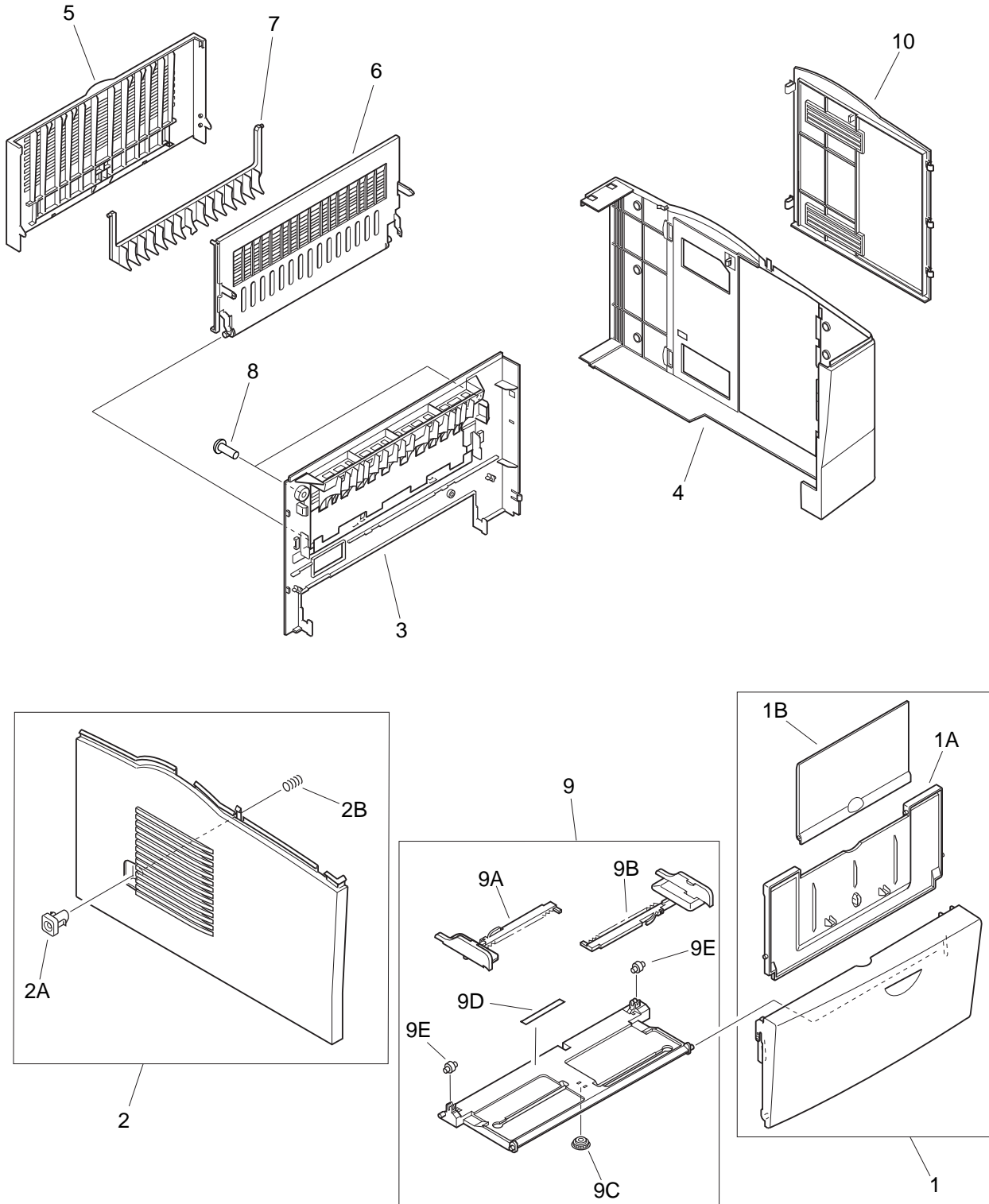


FIGURE & KEY NO.	PART NUMBER	RANK	QTY	DESCRIPTION	SERIAL NUMBER / REMARKS
100 -	NPN		RF	EXTERNAL COVERS, PANELS, ETC.	
1	RG5-5044-000		1	MP COVER ASS'Y	
1A	RB2-3147-000		1	TRAY, EXPANSION, 1	
1B	RB2-3148-000		1	TRAY, EXPANSION, 2	
2	RG5-5042-000		1	LEFT COVER ASS'Y	
2A	RB2-3134-000		1	BUTTON, POWERSWITCH	
2B	RB2-2860-000		1	SPRING, COMPRESSION	
3	RB2-3140-000		1	COVER, REAR	
4	RB2-3135-000		1	COVER, RIGHT	
5	RB2-3139-000		1	TRAY, EXPANSION	
6	RB2-3138-000		1	TRAY, FACE-UP	
7	RB2-2877-000		1	GUIDE	
8	XA9-1062-000		2	SCREW, W/WASHER, M4X12	
9	RG5-5048-000		1	MULTI-PURPOSE TRAY ASS'Y	
9A	RB2-3153-000		1	GUIDE, SLIDE, LEFT	
9B	RB2-3154-000		1	GUIDE, SLIDE, RIGHT	
9C	RB2-2885-000		1	GEAR, 18T	
9D	RB2-2886-000		1	SHEET, SEPARATION, MP	
9E	RB2-3084-000		2	ROLLER	
10	RB2-3136-000		1	COVER, DIMM	

FIGURE 101 TOP COVER ASS'Y

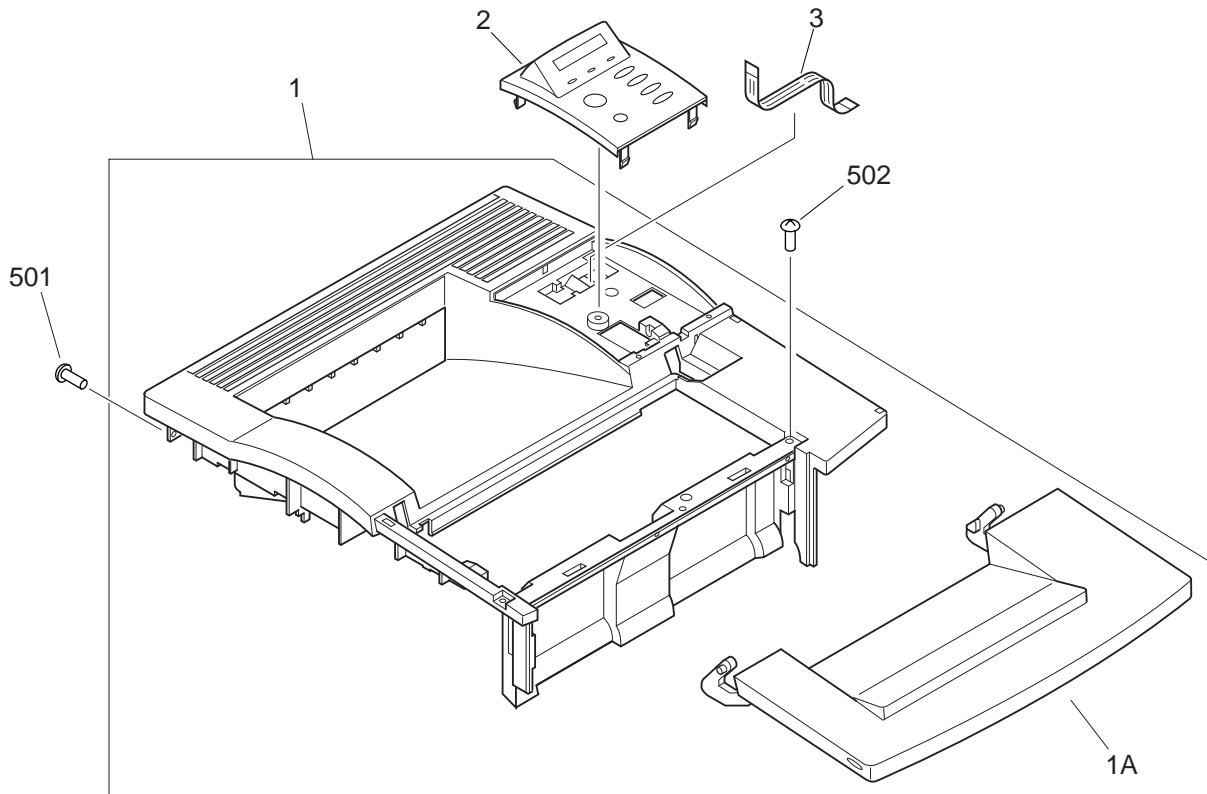


FIGURE & KEY NO.	PART NUMBER	RANK	QTY	DESCRIPTION	SERIAL NUMBER / REMARKS
101 -	NPN		RF	TOP COVER ASS'Y	
1	RG5-5054-000		1	TOP COVER ASS'Y	
1A	RB2-3150-000		1	COVER, CARTRIDGE	
2	RH6-0183-000		1	PANEL, OPERATION	
3	RH2-5405-000		1	CABLE, FLAT	
501	XB4-7401-007		2	SCREW,TAPPING,PAN HEAD,M4X10	
502	XB4-7401-607		2	SCREW,TAPPING,TRUSS HEAD,M4X16	

FIGURE 102 INTERNAL COMPONENTS 1

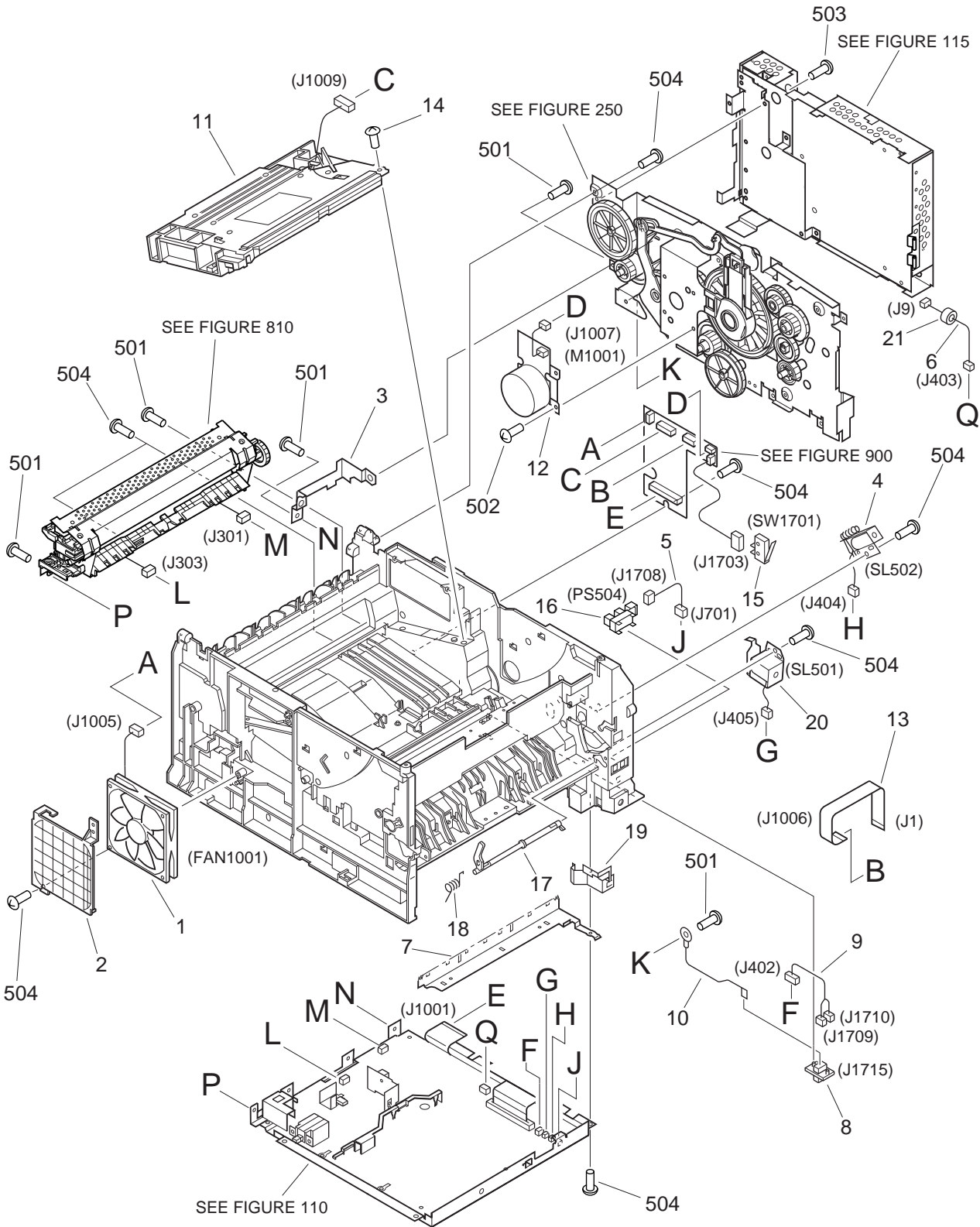


FIGURE & KEY NO.	PART NUMBER	R A N K	Q' T Y	DESCRIPTION	SERIAL NUMBER / REMARKS
102 -	NPN		RF	INTERNAL COMPONENTS 1	
1	RH7-1383-000		1	FAN	FAN1001, J1005
2	RB2-2817-000		1	FILTER, DUST	
3	RB2-2812-000		1	PLATE, GROUNDING	
4	RH7-5211-000		1	SOLENOID	SL502, J404
5	RG5-4254-000		1	MP SENSOR CABLE	J701, J1708
6	RG5-4255-003		1	DC POWER CABLE	J403, J9
7	RB2-2826-000		1	ELIMINATOR, STATIC CHARGE	
8	VS1-6173-006		1	CONNECTOR, 6P	J1709, J1710, J1715
9	RG5-4262-000		1	PAPER FEEDER CABLE	J402, J1709, J1710
10	RG5-4263-000		1	FRAME GROUND CABLE	
11	RG5-4172-000		1	LASER/SCANNER ASS'Y	J1009
12	RH7-1381-000		1	MOTOR, DC5.76W	M1001, J1007
13	RH2-5352-000		1	CABLE, FLAT	J1006, J1
14	XA9-0601-000		4	SCREW, TP, M4X12	
15	RH7-6051-000		1	MICROSWITCH	SW1701, J1703
16	WG8-5382-000		1	IC, TLP1242, PHOTO-INTERRUPTER	PS504, J1708
17	RB2-2836-000		1	LEVER, SENSOR	
18	RB2-2837-000		1	SPRING, TORSION	
19	RB2-2847-000		1	SPRING, LEAF	
20	RH7-5209-000		1	SOLENOID	SL501, J405
21	WE8-5173-000		1	FERRITE CORE	
501	XB2-7300-607		5	SCREW, W/WASHER, M3X6	
502	XB6-7300-407		4	SCREW, TP, M3X4	
503	XB6-7300-406		5	SCREW, TP, M3X4	
504	XB4-7401-007		15	SCREW, TAPPING, PAN HEAD, M4X10	

FIGURE 103 INTERNAL COMPONENTS 2

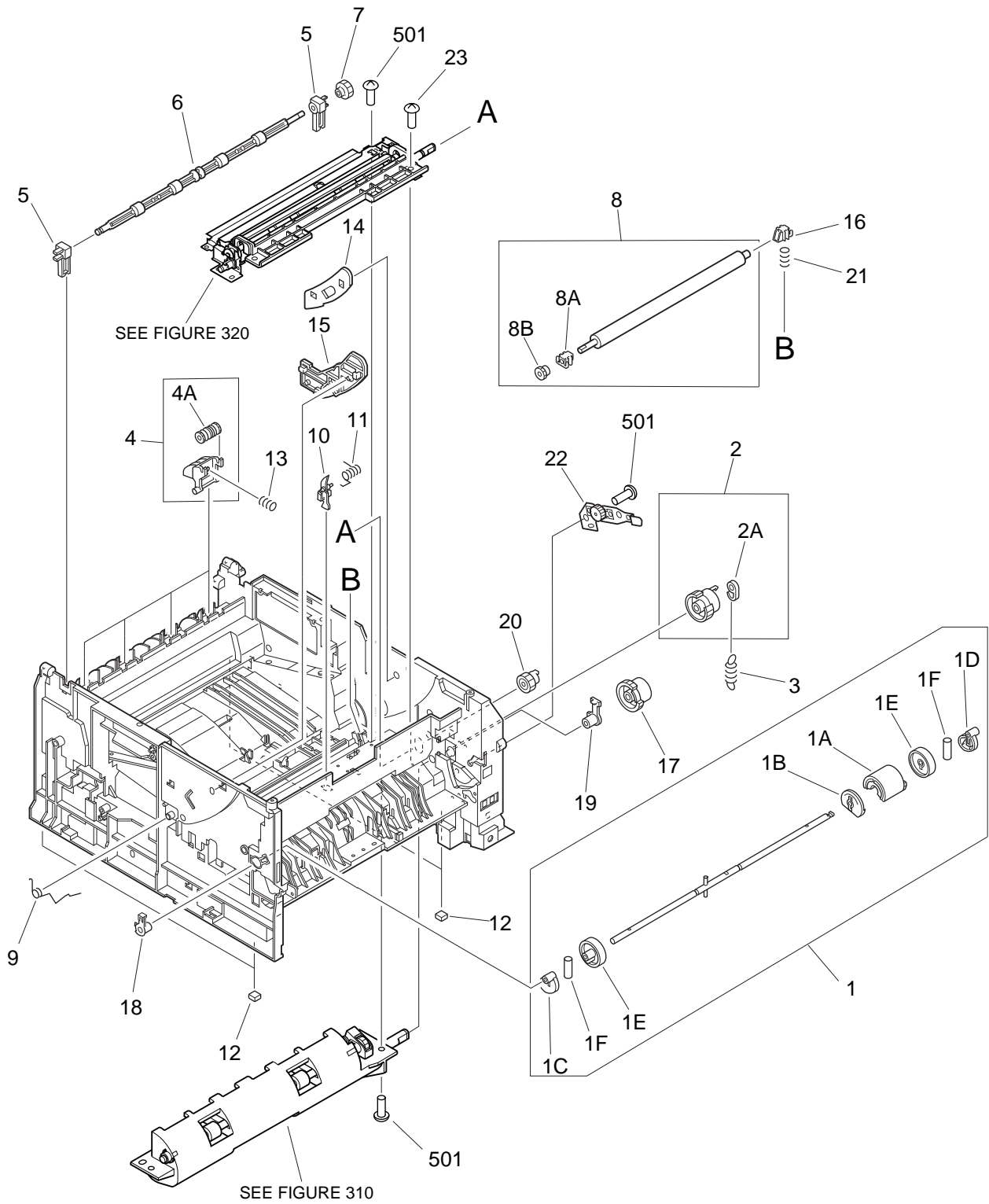


FIGURE & KEY NO.	PART NUMBER	RANK	QTY	DESCRIPTION	SERIAL NUMBER / REMARKS
103 -	NPN		RF	INTERNAL COMPONENTS 2	
1	RG5-4128-000		1	MP PICK-UP ASS'Y	
1A	RB2-2900-000		1	ROLLER, PICK-UP	
1B	RB2-2901-000		1	CAM, ROLLER	
1C	RB2-2902-000		1	CAM, LEFT	
1D	RB2-2903-000		1	CAM, RIGHT	
1E	RB2-2904-000		2	ROLLER	
1F	XD9-0159-000		2	PIN, DOWEL	
2	RG5-4156-000		1	CASSETTE PICK-UP GEAR ASS'Y	
2A	RB1-2190-000		1	COLLAR, SPRING	
3	RS6-2025-000		1	SPRING, TENSION	
4	RG5-4119-000		4	FD DELIVERY ROLLER ASS'Y	
4A	RB2-2849-000		1	ROLLER, FACE-DOWN, LOWER	
5	RB2-2850-000		2	BUSHING	
6	RF5-2604-000		1	ROLLER, FACE-DOWN, UPPER	
7	RS6-0441-000		1	GEAR, 15T	
8	RG5-4164-030		1	TRANSFER ROLLER ASS'Y	
8A	RB2-2925-020		1	BUSHING, TRANSFER, LEFT	
8B	RS6-0459-000		1	GEAR, 17T	
9	RB2-2832-000		1	SPRING, COMPRESSION	
10	RB2-2842-000		1	LEVER, SENSOR	
11	RB2-2843-000		1	SPRING, TORSION	
12	RB2-2816-000		4	FOOT	
13	RS6-2023-000		4	SPRING, COMPRESSION	
14	RB2-2830-020		1	GUIDE, CARTRIDGE, RIGHT	
15	RB2-2831-020		1	GUIDE, CARTRIDGE, LEFT	
16	RB2-2926-020		1	BUSHING, TRANSFER, RIGHT	
17	RB2-3040-000		1	GEAR, 26T	
18	RB2-3043-000		1	BUSHING, LEFT	
19	RB2-3044-000		1	BUSHING, RIGHT	
20	RS6-0445-000		1	GEAR, 14T	
21	RS6-2022-000		1	SPRING, COMPRESSION	
22	RG5-4165-000		1	DAMPER ASS'Y	
23	XA9-1062-000		2	SCREW, W/WASHER, M4X12	
501	XB4-7401-009		9	SCREW, TAPPING, PAN HEAD, M4X10	

FIGURE 104 INTERNAL COMPONENTS 3

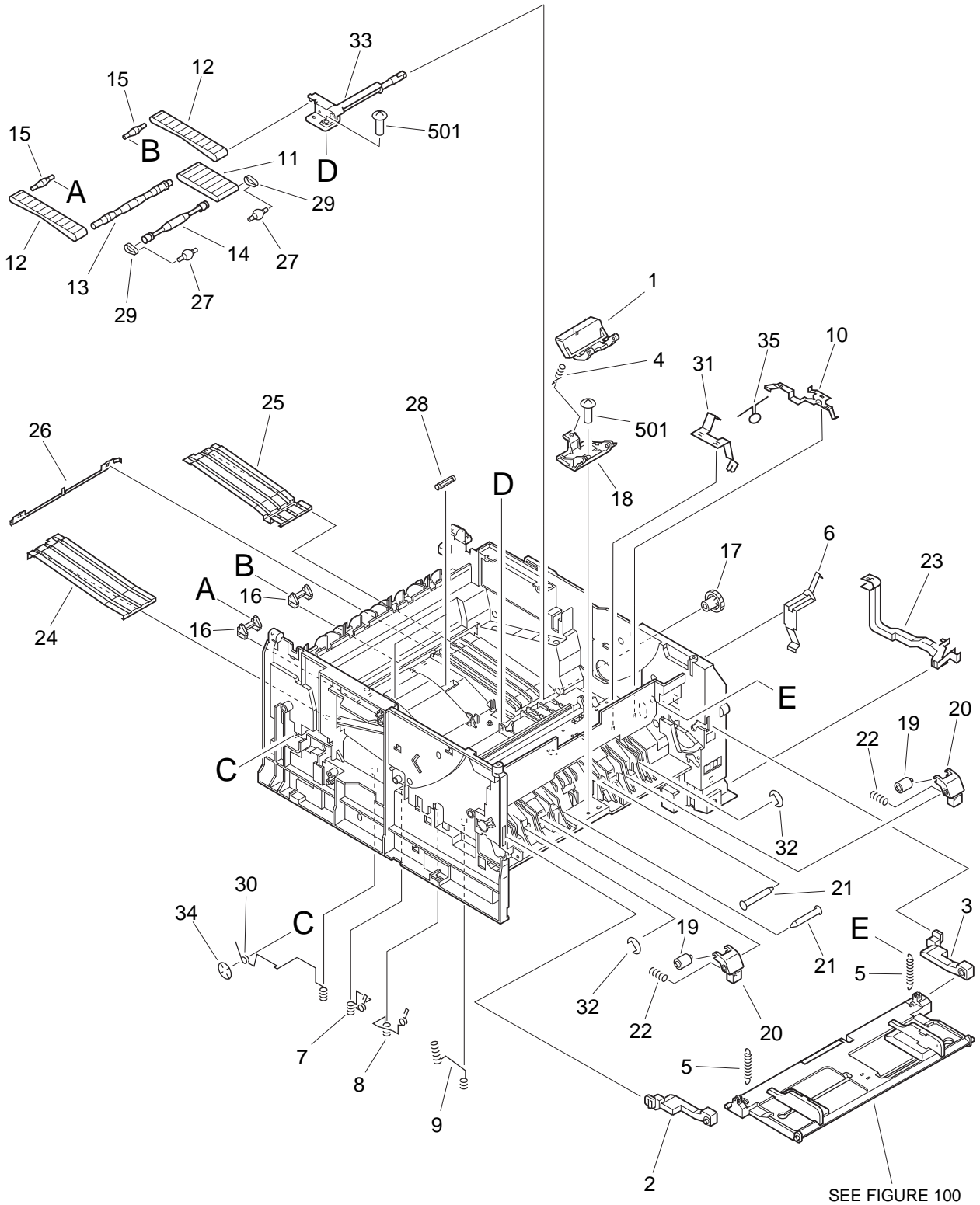


FIGURE & KEY NO.	PART NUMBER	R A N K	Q' T Y	DESCRIPTION	SERIAL NUMBER / REMARKS
104 -	NPN		RF	INTERNAL COMPONENTS 3	
1	RB2-2835-000		1	PAD, SEPARATION	
2	RB2-3149-000		1	HINGE, LEFT	
3	RB2-3151-000		1	HINGE, RIGHT	
4	RS6-2024-000		1	SPRING, COMPRESSION	
5	RS6-2030-000		2	SPRING, TENSION	
6	RB2-3075-000		1	SPRING, LEAF, GROUNDING	
7	RB2-2828-000		1	SPRING, COMPRESSION	
8	RB2-2829-000		1	SPRING, COMPRESSION	
9	RB2-2845-000		1	SPRING, COMPRESSION	
10	RB2-3045-000		1	SPRING, LEAF, GROUNDING	
11	RB2-3058-000		1	BELT, PAPER FEED, 1	
12	RB2-3059-000		2	BELT, PAPER FEED, 2	
13	RB2-3073-020		1	SHAFT, DRIVE, 1	
14	RB2-3056-000		1	SHAFT, DRIVE, 2	
15	RB2-2825-000		2	SHAFT, DRIVE, 3	
16	RB2-3074-000		2	SHAFT, IDLER	
17	RS6-0464-000		1	GEAR, 20T	
18	RB2-2838-020		1	HOLDER, SEPARATION PAD	
19	RB2-3046-000		2	ROLLER	
20	RB2-3047-000		2	HOLDER, ROLLER	
21	RB2-3048-000		2	SHAFT	
22	RS6-2033-000		2	SPRING, COMPRESSION	
23	RB2-2818-000		1	GUIDE, CABLE	
24	RB2-3078-000	N	1	PLATE, FEEDING, LEFT	
25	RB2-3079-000	N	1	PLATE, FEEDING, RIGHT	
26	RB2-3080-000		1	PLATE, GROUNDING	
27	RB2-3054-000		2	PULLEY	
28	RB2-3057-000		2	ROLLER, TENSION	
29	RB2-3060-000		2	BELT, PAPER FEED, 3	
30	RB2-3050-000		1	SPRING, TORSION	
31	RB2-3051-000		1	PLATE, GROUNDING	
32	XD9-0134-000		2	RING, E	
33	RG5-4160-000		1	GEAR ASS'Y	
34	XA9-0439-000		1	NUT, PUSH	
35	RF5-2611-000		1	VARISTOR	
501	XB4-7401-007		2	SCREW, TAPPING, PAN HEAD, M4X10	

FIGURE 110 ENGINE CONTROLLER ASS'Y

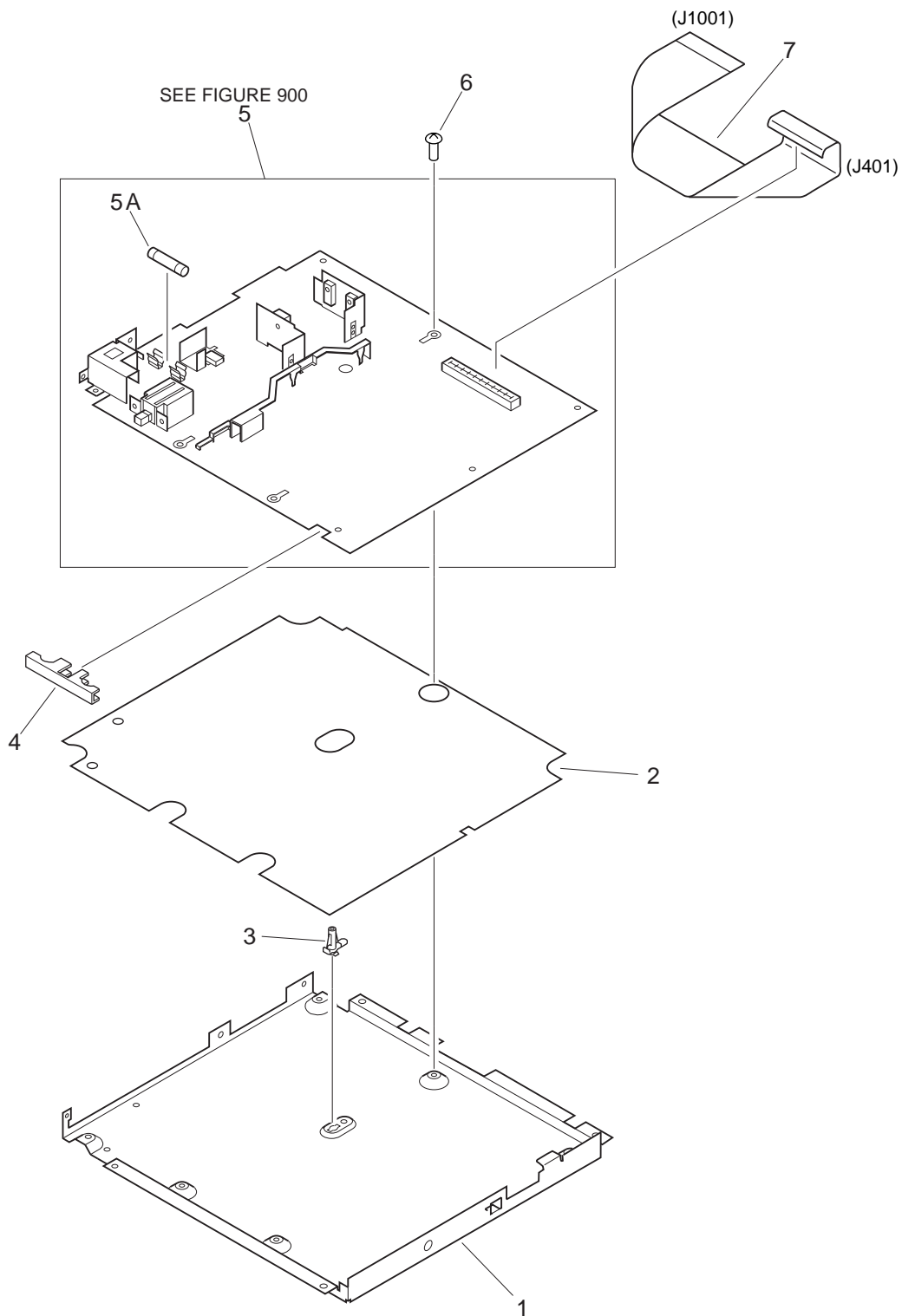


FIGURE & KEY NO.	PART NUMBER	R A N K	Q' T Y	DESCRIPTION	SERIAL NUMBER / REMARKS
110 -	RG5-5493-000		1	ENGINE CONTROLLER ASS'Y	
1	RB2-3020-020	N	1	CASE, ENGINE CONTROLLER	
2	RB2-3021-000		1	SHEET, INSULATION	
3	RB2-3022-000		1	SPACER, PCB 1	
4	RB2-3023-000		1	SPACER, PCB 2	
5	RG5-5492-000		1	ENGINE CONTROLLER PCB ASS'Y	SEE FIGURE 900
5A	VD7-0646-301		1	FUSE, AC250V, 6.3A	
6	XA9-0924-000		6	SCREW, W/WASHER, M3X8	
7	RH2-5348-000		1	CABLE, FLAT	J401, J1001

FIGURE 115 VIDEO CONTROLLER ASS'Y

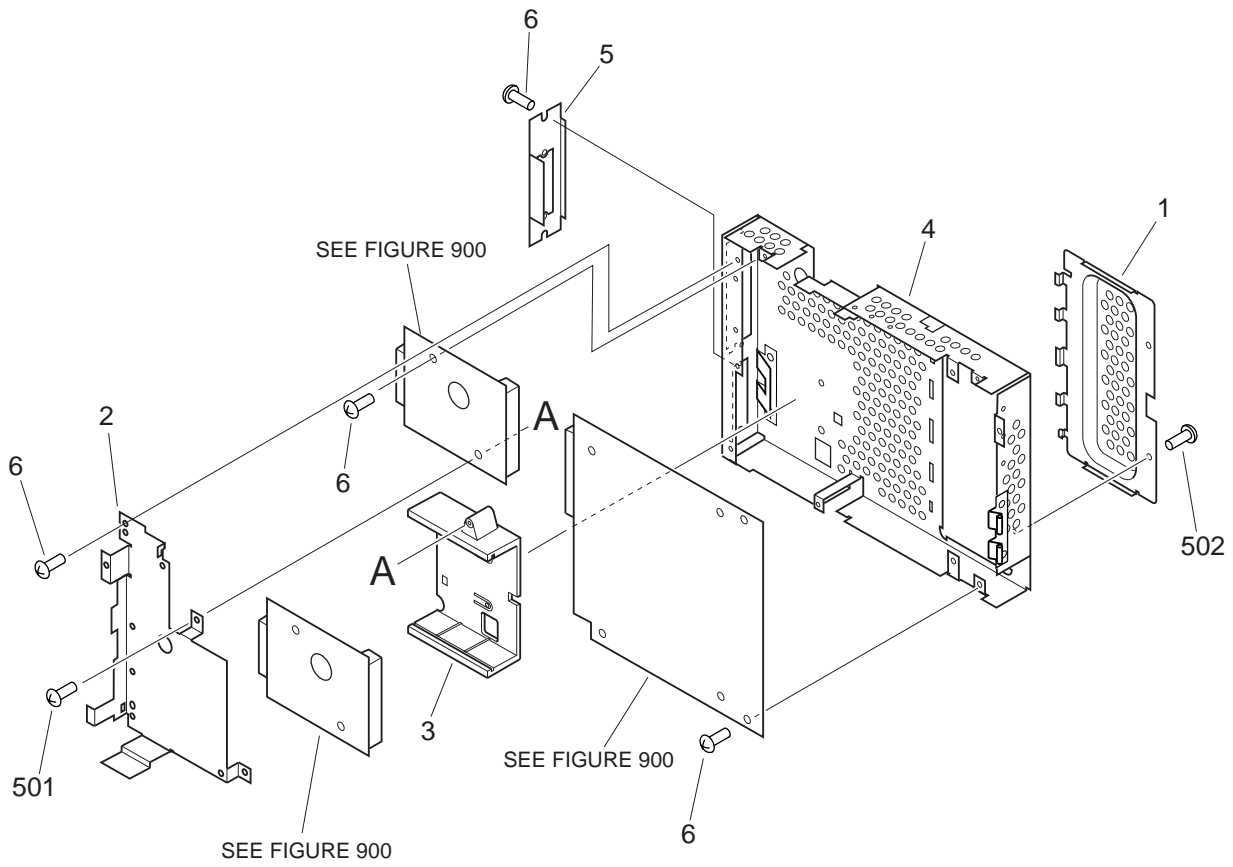


FIGURE & KEY NO.	PART NUMBER	RANK	QTY	DESCRIPTION	SERIAL NUMBER / REMARKS
115-	NPN		RF	VIDEO CONTROLLER ASS'Y	
1	RB2-3144-000		1	COVER, MEMORY	
2	RB2-3145-000	N	1	PLATE, SUPPORT, PCB	
3	RB2-3146-000		1	GUIDE, RAIL	
4	RF5-2615-000	N	1	COVER, SHIELD	
5	RB2-3158-000		1	PLATE, PCB MOUNT	
6	XA9-0267-000		6	SCREW, TP, M3X6	
501	XB4-7301-007		2	SCREW, TAPPING, TRUSS HEAD, M3X10	
502	XB6-7400-605		3	SCREW, TP, M4X6	

FIGURE 250 PRINTER DRIVE ASS'Y

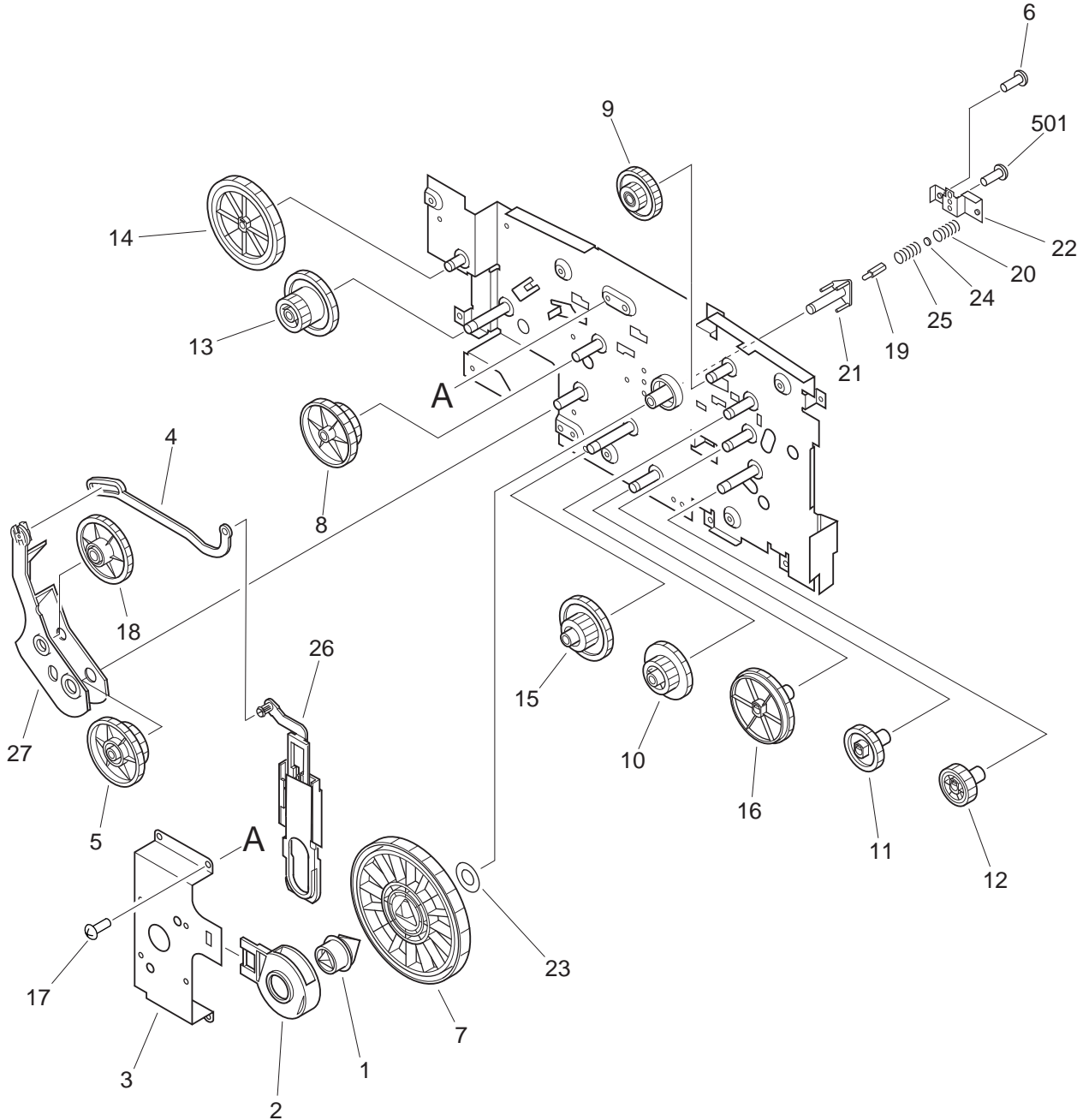


FIGURE & KEY NO.	PART NUMBER	R A N K	Q' T Y	DESCRIPTION	SERIAL NUMBER / REMARKS
250 -	RG5-5049-000		1	PRINTER DRIVE ASS'Y	
1	RB2-2935-000		1	SHAFT, COUPLING	
2	RB2-2936-000		1	BUSHING	
3	RB2-2937-000		1	PLATE, MOTOR	
4	RB2-2939-000		1	LEVER, DRIVE RELEASE	
5	RS6-0452-000		1	GEAR, 22T/93T	
6	XA9-0904-000		4	SCREW, M3X6	
7	RS6-0446-000		1	GEAR, 201T	
8	RS6-0447-000		1	GEAR, 58T/92T	
9	RS6-0448-000		1	GEAR, 17T/68T	
10	RS6-0449-000		1	GEAR, 25T/41T	
11	RS6-0450-000		1	GEAR, 31T	
12	RS6-0451-000		1	GEAR, 26T	
13	RS6-0453-000		1	GEAR, 23T/46T	
14	RS6-0455-000		1	GEAR, 67T	
15	RS6-0456-000		1	GEAR, 22T/86T	
16	RS6-0457-000		1	GEAR, 53T	
17	XA9-0836-000		4	SCREW, TP, M3X6	
18	RS6-0454-000		1	GEAR, 48T	
19	RB2-2943-000		1	PIN	
20	RS6-2027-020		1	SPRING, COMPRESSION	
21	RB2-2947-000		1	HOLDER, PIN	
22	RB2-2948-000		1	PLATE, SPRING	
23	RB2-2949-000		1	WASHER	
24	RB2-2950-000		1	FLANGE, SPRING	
25	RS6-2031-000		1	SPRING, COMPRESSION	
26	RG5-4140-000		1	COUPLING ASS'Y	
27	RB2-2938-000		1	ARM, DRIVE	
501	XB2-7300-407		1	SCREW, W/STAR WASHER, M3X7	

FIGURE 300 CASSETTE

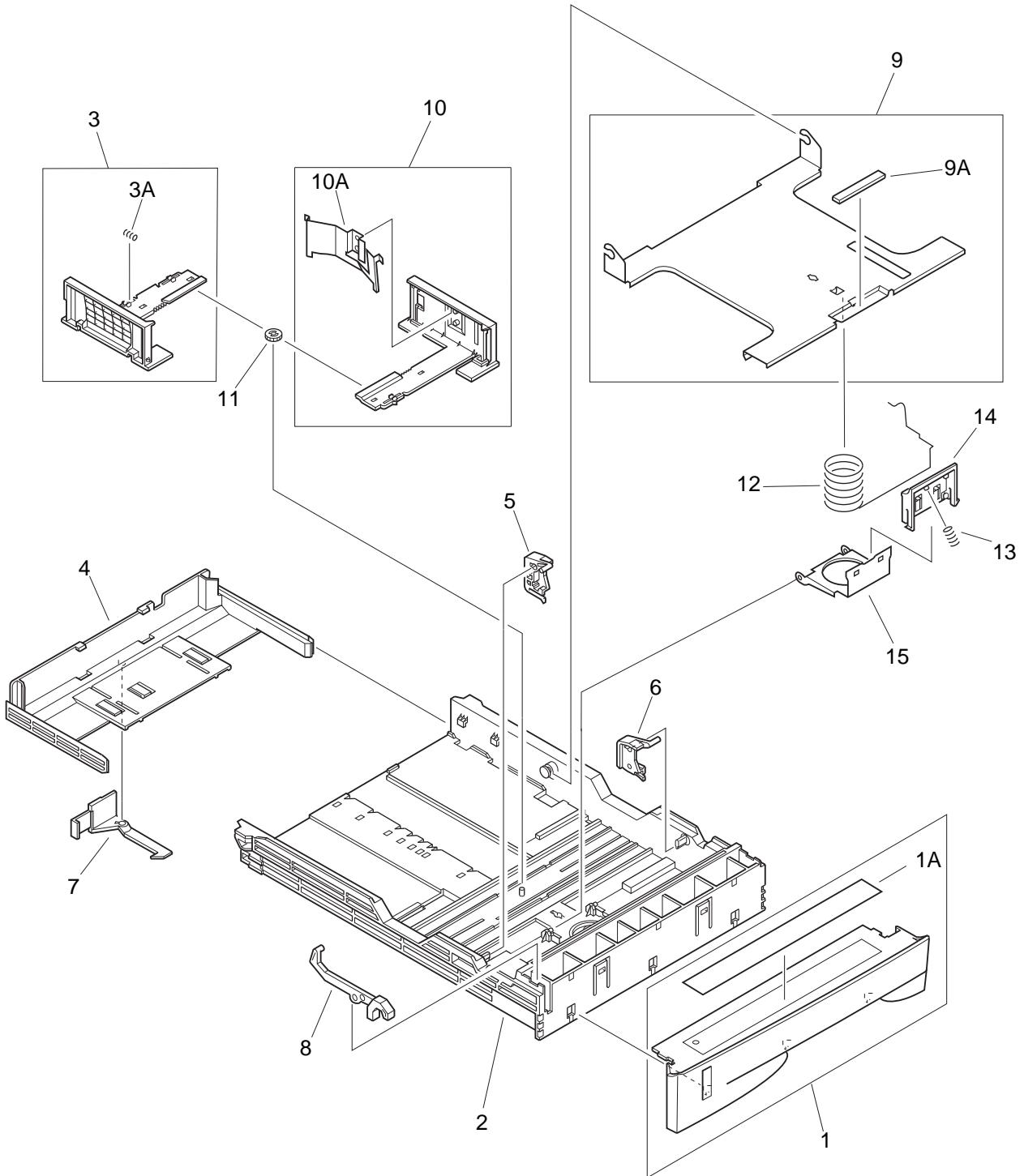


FIGURE & KEY NO.	PART NUMBER	RANK	QTY	DESCRIPTION	SERIAL NUMBER / REMARKS
300 -	NPN		RF	CASSETTE	
1	RF5-2616-000		1	COVER, FRONT	
1A	RB2-3161-000		1	LABEL, "SIZE"	
2	RB2-3001-020		1	BODY, CASSETTE	
3	RG5-4159-000	N	1	LEFT SIDE PLATE ASS'Y	
3A	RS6-2035-000		1	SPRING, COMPRESSION	
4	RB2-3003-020		1	PLATE, END	
5	RB2-3004-000		1	ARM, RELEASE, LEFT	
6	RB2-3005-000		1	ARM, RELEASE, RIGHT	
7	RB2-3009-000		1	ARM, LOCK	
8	RB2-3142-000		1	ARM, PAPER LEVEL	
9	RF5-2599-000		1	PLATE, PAPER LIFTING	
9A	RB2-3007-000		1	SHEET, SEPARATION	
10	RF5-2606-000		1	RIGHT SIDE PLATE ASS'Y	
10A	RB2-3012-000		1	SPRING, LEAF	
11	RS6-0440-000		1	GEAR, 10T	
12	RS6-2020-000		1	SPRING, COMPRESSION	
13	RS6-2021-000		1	SPRING, COMPRESSION	
14	RB2-3008-000		1	PAD, SEPARATION	
15	RB2-3013-000		1	HOLDER, SEPARATION PAD	

FIGURE 310 CASSETTE PAPER PICK-UP ASS'Y

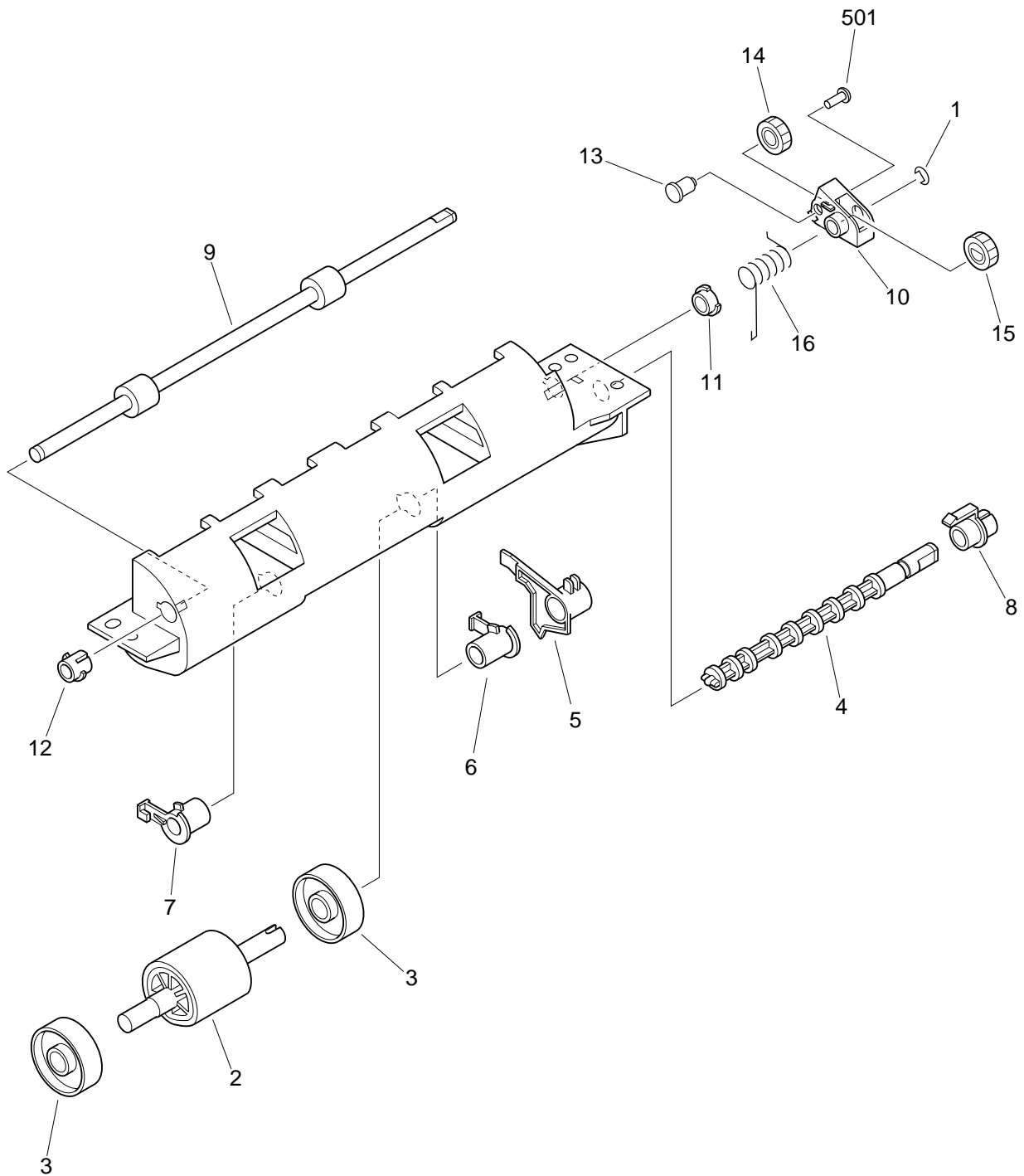


FIGURE & KEY NO.	PART NUMBER	R A N K	Q' T Y	DESCRIPTION	SERIAL NUMBER / REMARKS
310 -	RG5-4127-060		1	CASSETTE PAPER PICK-UP ASS'Y	
1	XD9-0135-000		1	RING, E	
2	RB2-2891-000		1	ROLLER, PAPER PICK-UP	
3	RB2-2892-000		2	ROLLER	
4	RB2-2893-000		1	SHAFT, DRIVE	
5	RB2-2894-000		1	LEVER, PAPER SENSOR	
6	RB2-2895-000		1	BUSHING, RIGHT	
7	RB2-2896-000		1	BUSHING, LEFT	
8	RB2-2897-020		1	BUSHING	
9	RB2-2898-000		1	ROLLER	
10	RB2-2899-000		1	HOLDER, GEAR	
11	RB2-3081-000		1	BUSHING	
12	RB2-3082-000		1	BUSHING	
13	RB2-3083-000		1	SHAFT	
14	RS6-0462-000		1	GEAR, 14T	
15	RS6-0463-000		1	GEAR, 13T	
16	RS6-2034-000		1	SPRING, TORSION	
501	XB1-2300-407		1	SCREW, MACH., TRUSS HEAD, M3X4	

FIGURE 320 REGISTRATION ASS'Y

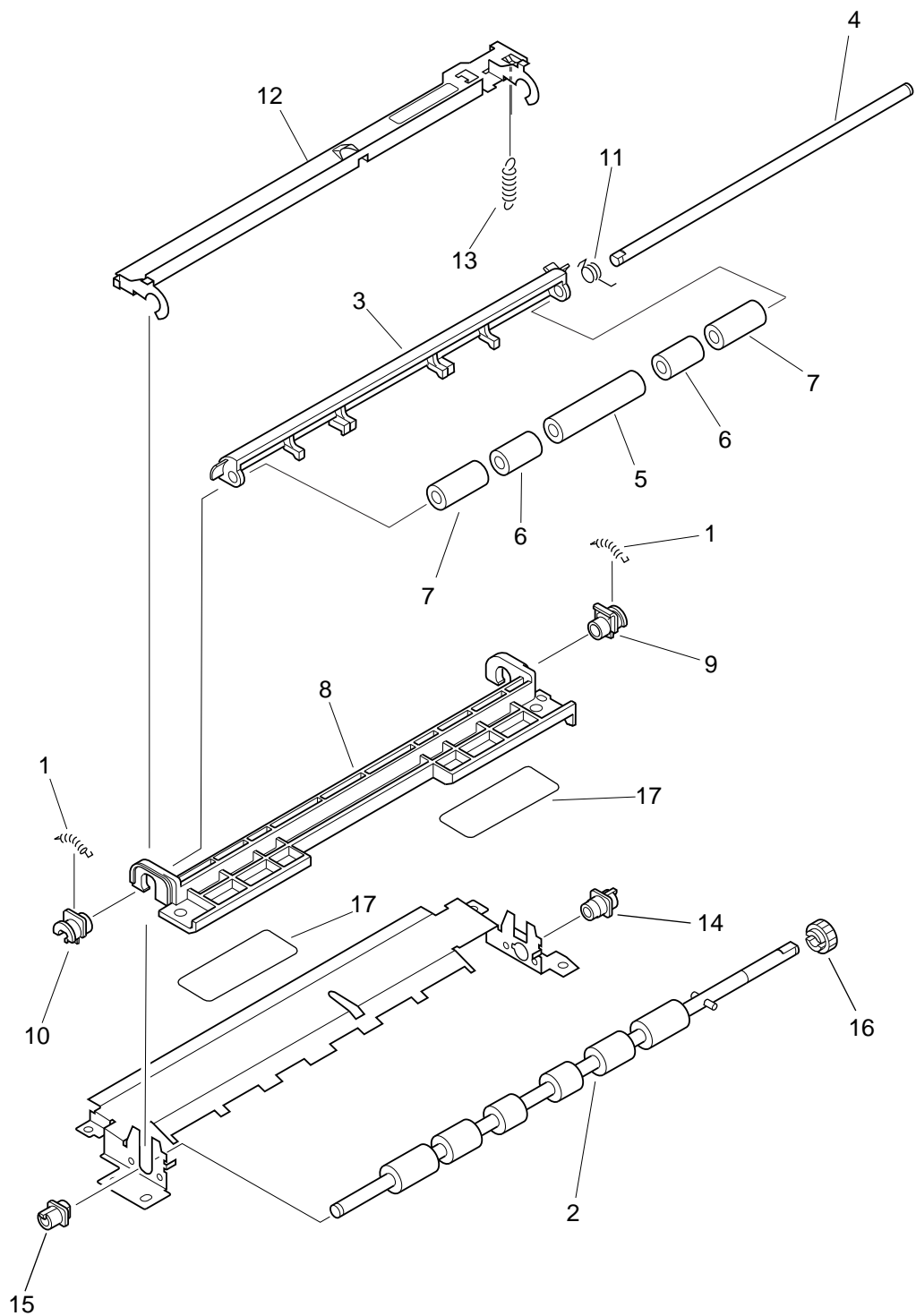


FIGURE & KEY NO.	PART NUMBER	R A N K	Q' T Y	DESCRIPTION	SERIAL NUMBER / REMARKS
320 -	RG5-4129-000		1	REGISTRATION ASS'Y	
1	RS6-2026-000		2	SPRING, TENSION	
2	RF5-2610-000		1	ROLLER, REGISTRATION, LOWER	
3	RB2-2909-000		1	SHUTTER, REGISTRATION	
4	RB2-2910-000		1	SHAFT	
5	RB2-2911-000		1	ROLLER	
6	RB2-2912-000		2	ROLLER	
7	RB2-2913-000		2	ROLLER	
8	RB2-2914-000	N	1	GUIDE, REGISTRATION	
9	RB2-2920-000		1	BUSHING	
10	RB2-2921-000		1	BUSHING	
11	RB2-2922-000		1	SPRING, TORSION	
12	RF5-2608-000		1	TRANSFER GUIDE ASS'Y	
13	RS6-2036-000		1	SPRING, TENSION	
14	RB2-2918-000		1	BUSHING, RIGHT	
15	RB2-2919-000		1	BUSHING, LEFT	
16	RS6-0461-000		1	GEAR, 14T	
17	RB2-2933-000		2	SHEET	

FIGURE 810 FIXING ASS'Y

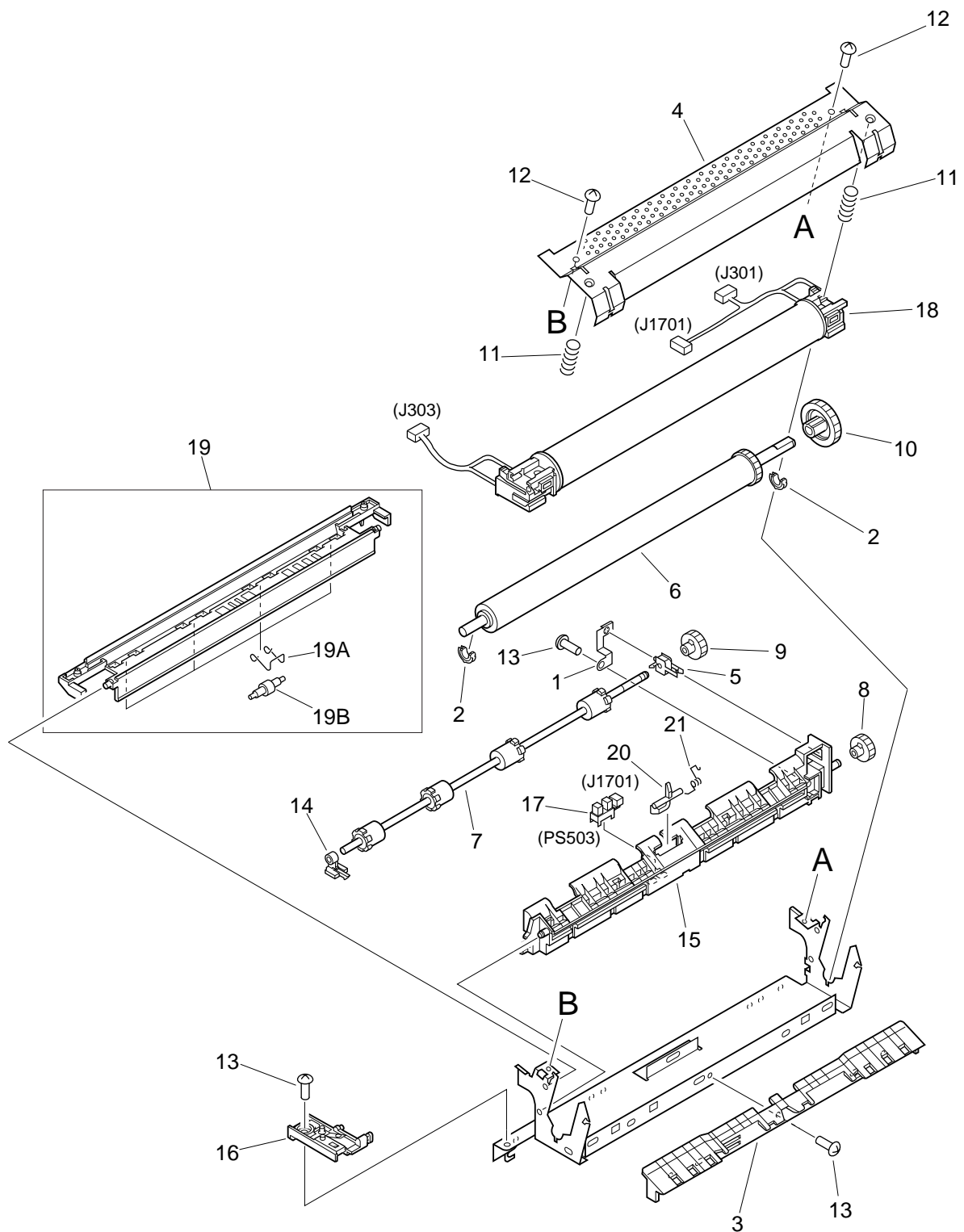


FIGURE & KEY NO.	PART NUMBER	RANK	QTY	DESCRIPTION	SERIAL NUMBER / REMARKS
810 -	RG5-4133-060		1	FIXING ASS'Y	
1	RB2-2990-000		1	PLATE, GROUNDING	
2	RB2-2973-000		2	BUSHING	
3	RB2-2974-000		1	GUIDE, ENTRANCE	
4	RB2-2975-000		1	PLATE, PRESSURE	
5	RB2-2985-000		1	BUSHING	
6	RF5-2601-020		1	ROLLER, PRESSURE	
7	RF5-2603-000		1	ROLLER, DELIVERY	
8	RS6-0442-000		1	GEAR, 14T	
9	RS6-0443-000		1	GEAR, 15T	
10	RS6-0458-000		1	GEAR, 26T	
11	RS6-2029-000		2	SPRING, COMPRESSION	
12	XA9-0836-000		2	SCREW, TP, M3X6	
13	XA9-0924-000		3	SCREW, W/WASHER, M3X8	
14	RB2-2986-000		1	BUSHING	
15	RB2-2979-000		1	GUIDE, DELIVERY, LOWER	
16	RF5-2609-000		1	HOLDER, CONTACT	
17	WG8-5382-000		1	IC, TLP1242, PHOTO-INTERRUPTER	PS503, J1701
18	RG5-4135-040		1	FIXING FILM ASS'Y	J301, J303, J1701
19	RG5-4141-000		1	UPPER DELIVERY GUIDE	
19A	RB2-2978-000		4	SPRING, COMPRESSION	
19B	RB2-2977-000		4	ROLLER, DELIVERY	
20	RB2-2981-000		1	LEVER, SENSOR	
21	RB2-2982-020		1	SPRING, TORSION	

FIGURE 900 PCB ASS'Y LOCATION DIAGRAM

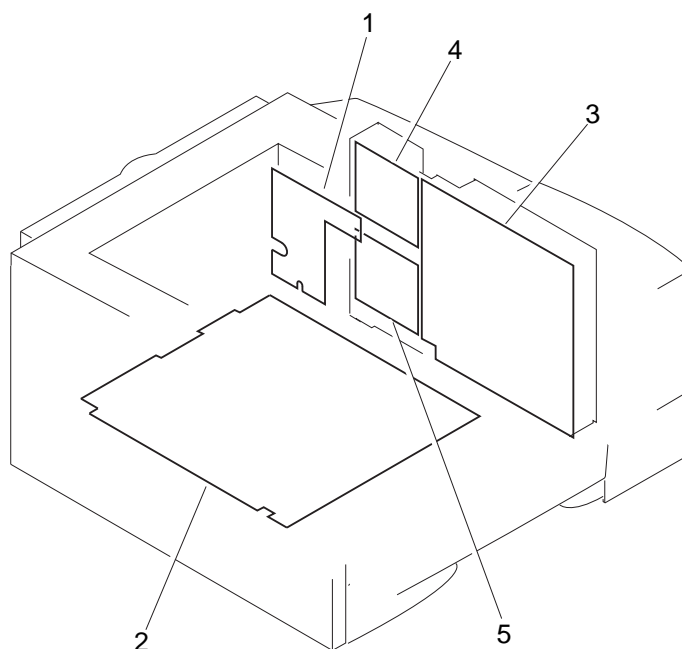


FIGURE & KEY NO.	PART NUMBER	RANK	QTY	DESCRIPTION	SERIAL NUMBER / REMARKS
900 -	NPN		RF	PCB ASS'Y LOCATION DIAGRAM	
1	RG5-4250-000		1	INTERMEDIATE PCB ASS'Y	
2	RG5-5492-000		1	ENGINE CONTROLLER PCB ASS'Y	
3	RG1-4008-000		1	VIDEO CONTROLLER PCB ASS'Y	
4	RG1-4009-000		1	CONNECTOR 1 PCB ASS'Y	
5	RG1-4010-000		1	CONNECTOR 2 PCB ASS'Y	

PAPER FEEDER

PAPER FEEDER
[R75-5002]

FIGURE RA ASSEMBLY LOCATION DIAGRAM

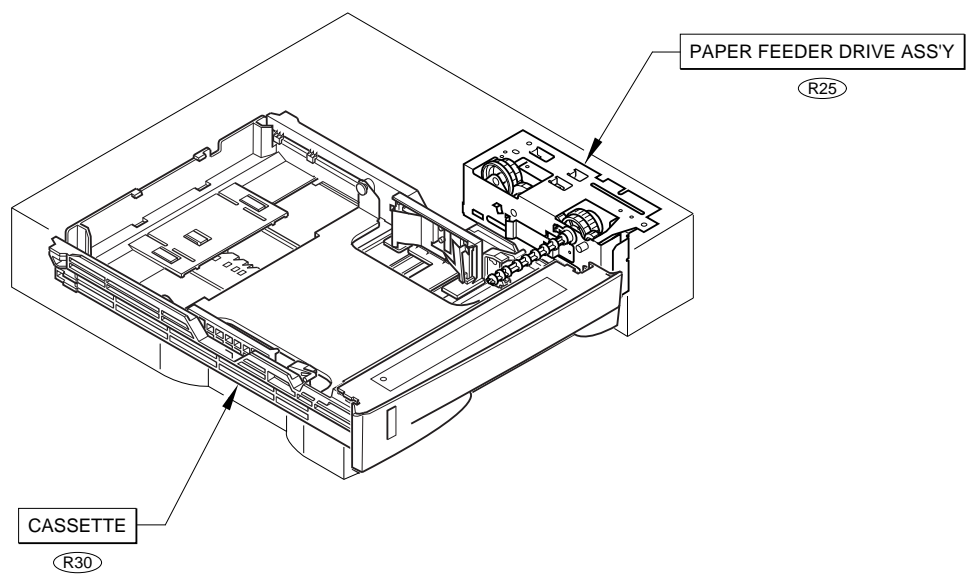


FIGURE R10 EXTERNAL COVERS, PANELS, ETC.

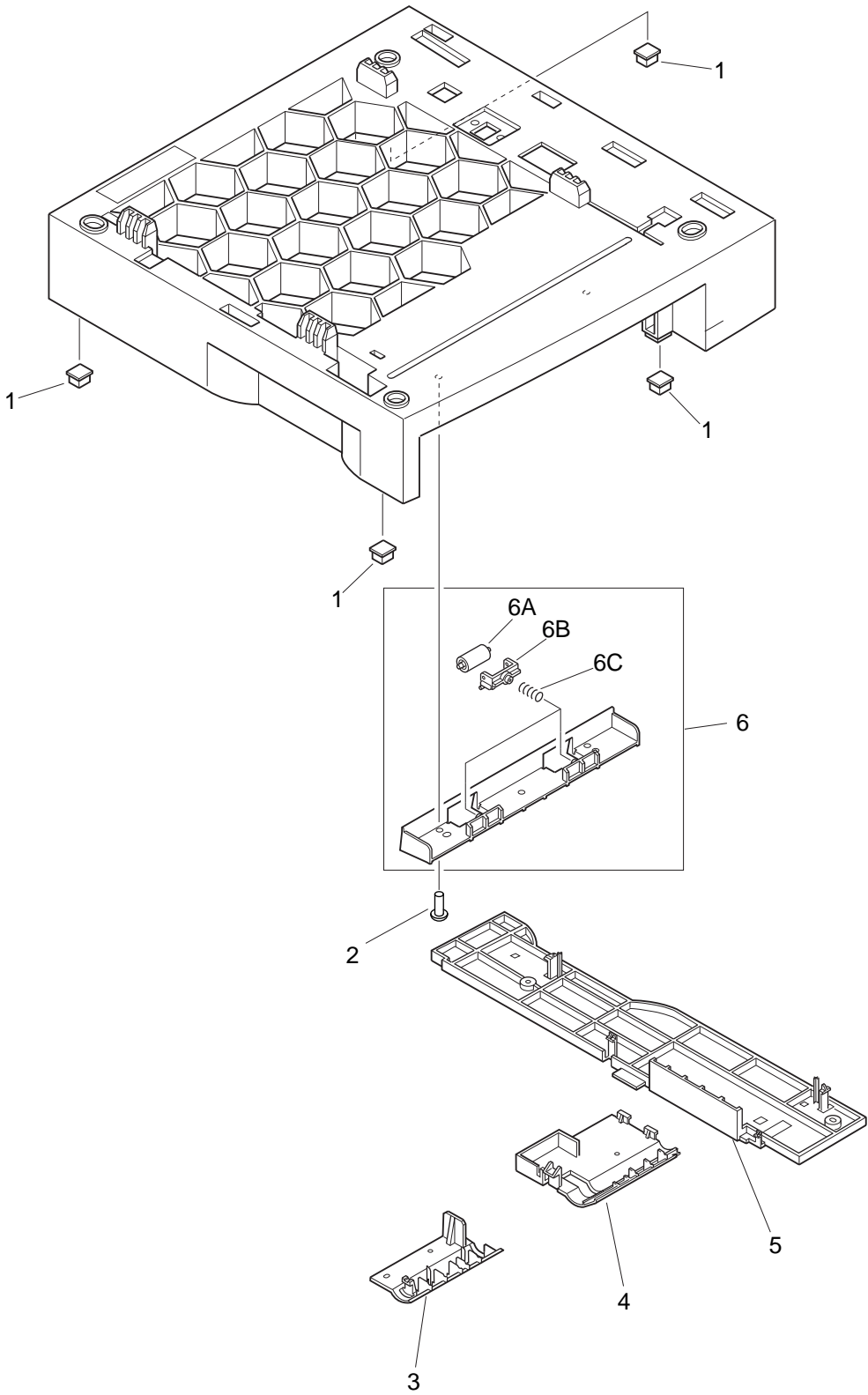


FIGURE & KEY NO.	PART NUMBER	R A N K	Q' T Y	DESCRIPTION	SERIAL NUMBER / REMARKS
R10 -	NPN		RF	EXTERNAL COVERS, PANELS, ETC.	
1	RB2-2816-000		4	FOOT	
2	XA9-0605-000		3	SCREW, M4X8	
3	RB2-3489-000		1	COVER, LOWER, LEFT	
4	RB2-3479-000		1	COVER, LOWER, RIGHT	
5	4A1-5289-000		1	COVER, DRIVE	
6	RG5-4394-020		1	LOWER FEED ROLLER ASS'Y	
6A	RB2-3484-020		2	ROLLER	
6B	RB2-3485-020		2	HOLDER, ROLLER	
6C	RS6-2063-000		2	SPRING, COMPRESSION	

FIGURE R11 INTERNAL COMPONENTS

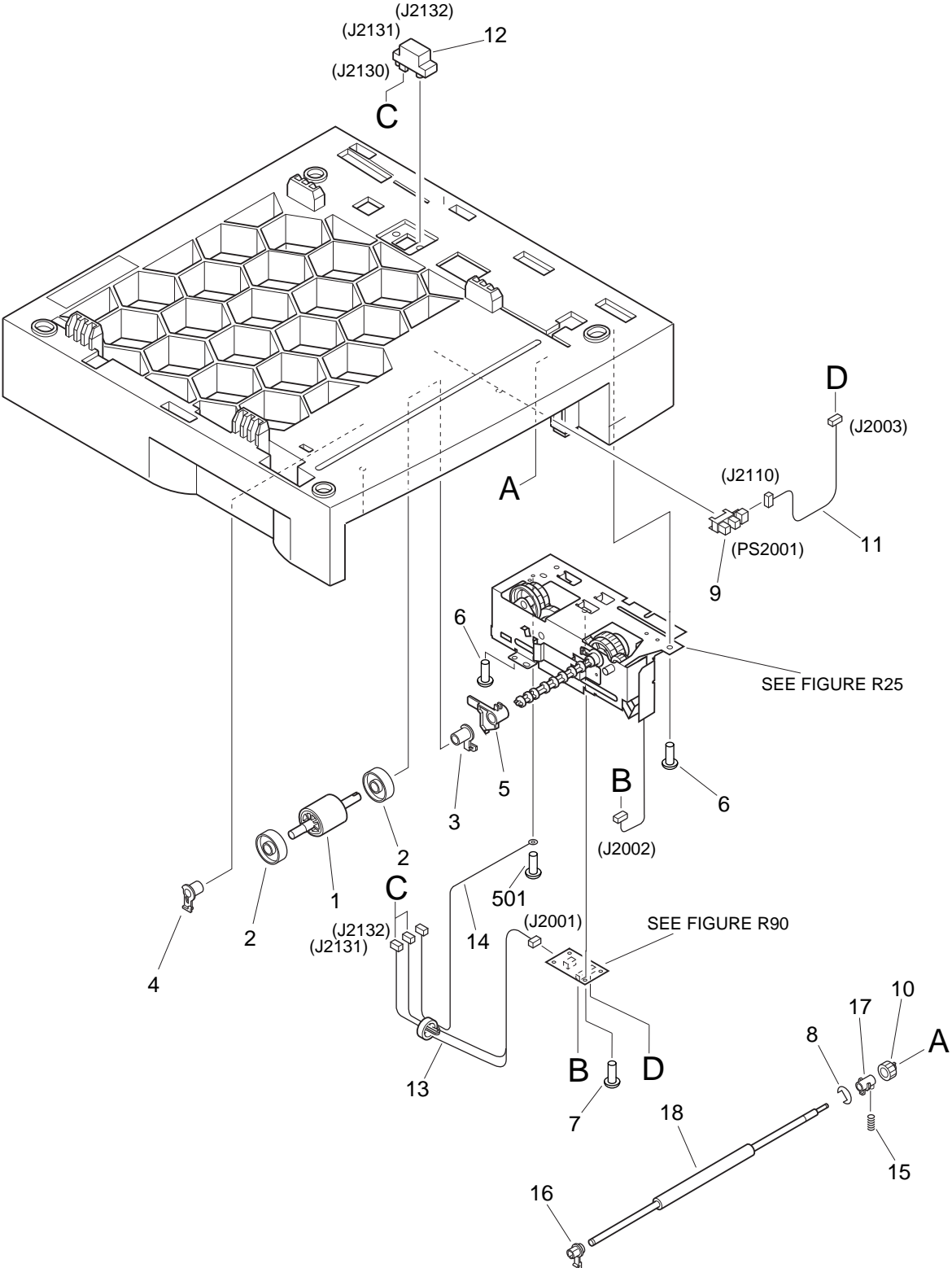


FIGURE & KEY NO.	PART NUMBER	RANK	QTY	DESCRIPTION	SERIAL NUMBER / REMARKS
R11 -	NPN		RF	INTERNAL COMPONENTS	
1	RB2-2891-000		1	ROLLER, PAPER PICK-UP	
2	RB2-2892-000		2	ROLLER	
3	RB2-2895-000		1	BUSHING, RIGHT	
4	RB2-2896-000		1	BUSHING, LEFT	
5	RB2-3474-000		1	LEVER, SENSOR	
6	XA9-0605-000		3	SCREW, M4X8	
7	XA9-0924-000		2	SCREW, W/WASHER, M3X8	
8	XD9-0136-000		1	RING, E	
9	WG8-5382-000		1	IC, TLP1242, PHOTO-INTERRUPTER	PS2001, J2110
10	RS6-0501-000		1	GEAR, 15T	
11	RG5-4278-000		1	SENSOR CABLE	J2003, J2110
12	VS1-6174-006		1	CONNECTOR, 6P	J2130-J2132
13	RG5-4280-000		1	RELAY CABLE	J2001, J2131, J2132
14	RG5-4281-000		1	FG CABLE	
15	RS6-2064-000		1	SPRING, COMPRESSION	
16	RB2-3486-000		1	BUSHING, RIGHT	
17	RB2-3487-000		1	BUSHING, LEFT	
18	RB2-3490-000		1	ROLLER, FEED	
501	XB2-7400-607		1	SCREW, W/WASHER, M4X6	

FIGURE R25 PAPER FEEDER DRIVE ASS'Y

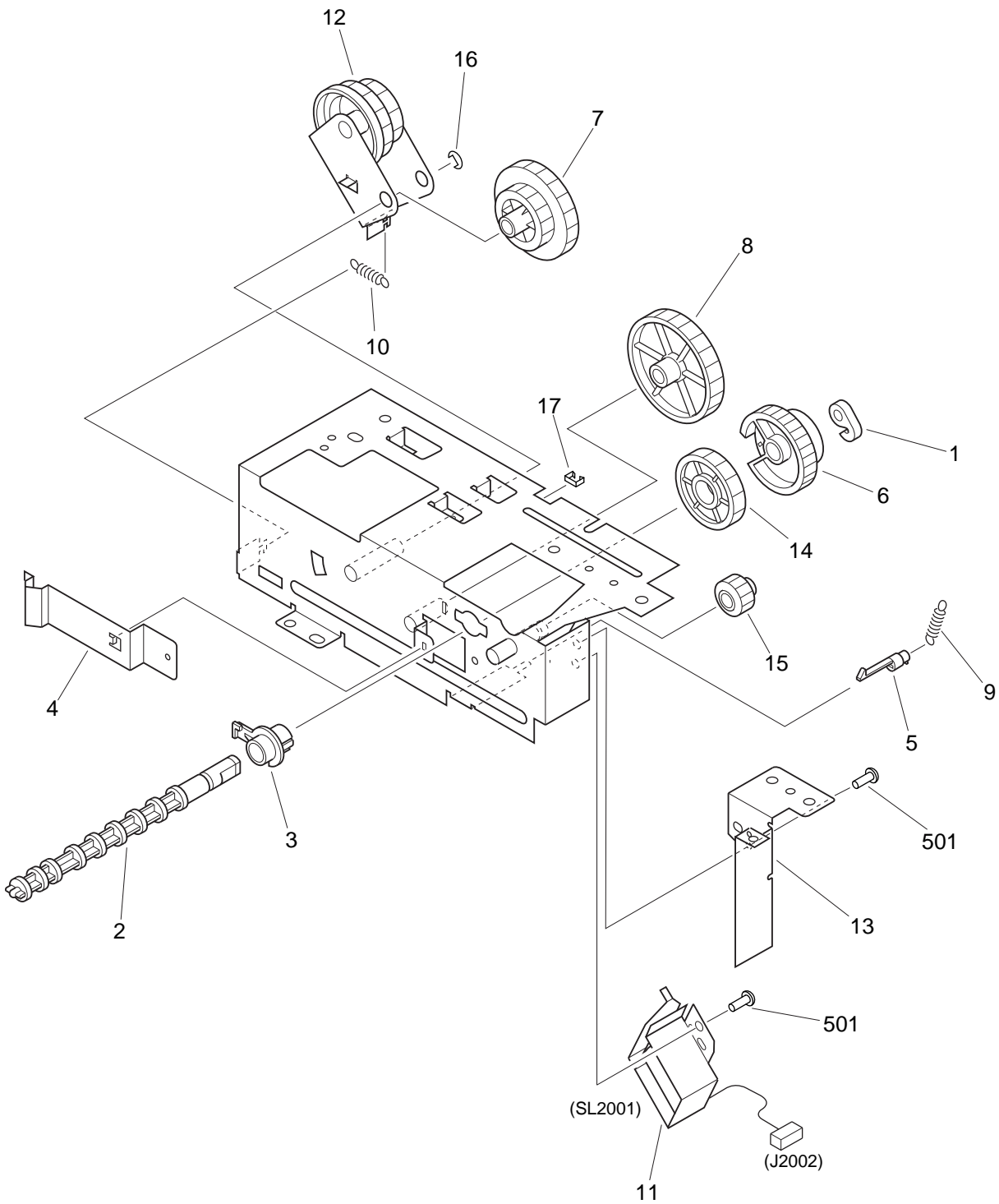


FIGURE & KEY NO.	PART NUMBER	RANK	QTY	DESCRIPTION	SERIAL NUMBER / REMARKS
R25 -	RG5-4391-000		1	PAPER FEEDER DRIVE ASS'Y	
1	RB1-2190-000		1	COLLAR, SPRING	
2	RB2-2893-000		1	SHAFT, DRIVE	
3	RB2-3475-000		1	BUSHING	
4	RB2-3478-000		1	SPRING, LEAF	
5	RB1-6133-000		1	HOLDER, SPRING	
6	RS6-0495-000		1	GEAR, 27T	
7	RS6-0497-000		1	GEAR, 39T/34T	
8	RS6-0498-000		1	GEAR, 45T	
9	RS6-2061-000		1	SPRING, TENSION	
10	RS6-2062-000		1	SPRING, TENSION	
11	RH7-5213-000		1	SOLENOID	SL2001, J2002
12	RF5-2755-000		1	SWING GEAR ASS'Y	
13	RB2-3481-000		1	PLATE	
14	RS6-0499-000		1	GEAR, 39T	
15	RS6-0500-000		1	GEAR, 17T	
16	XD9-0136-000		1	RING, E	
17	WT2-5300-000		1	CLIP, CABLE	
501	XB6-7400-609		3	SCREW, TP, M4X6	

FIGURE R30 CASSETTE

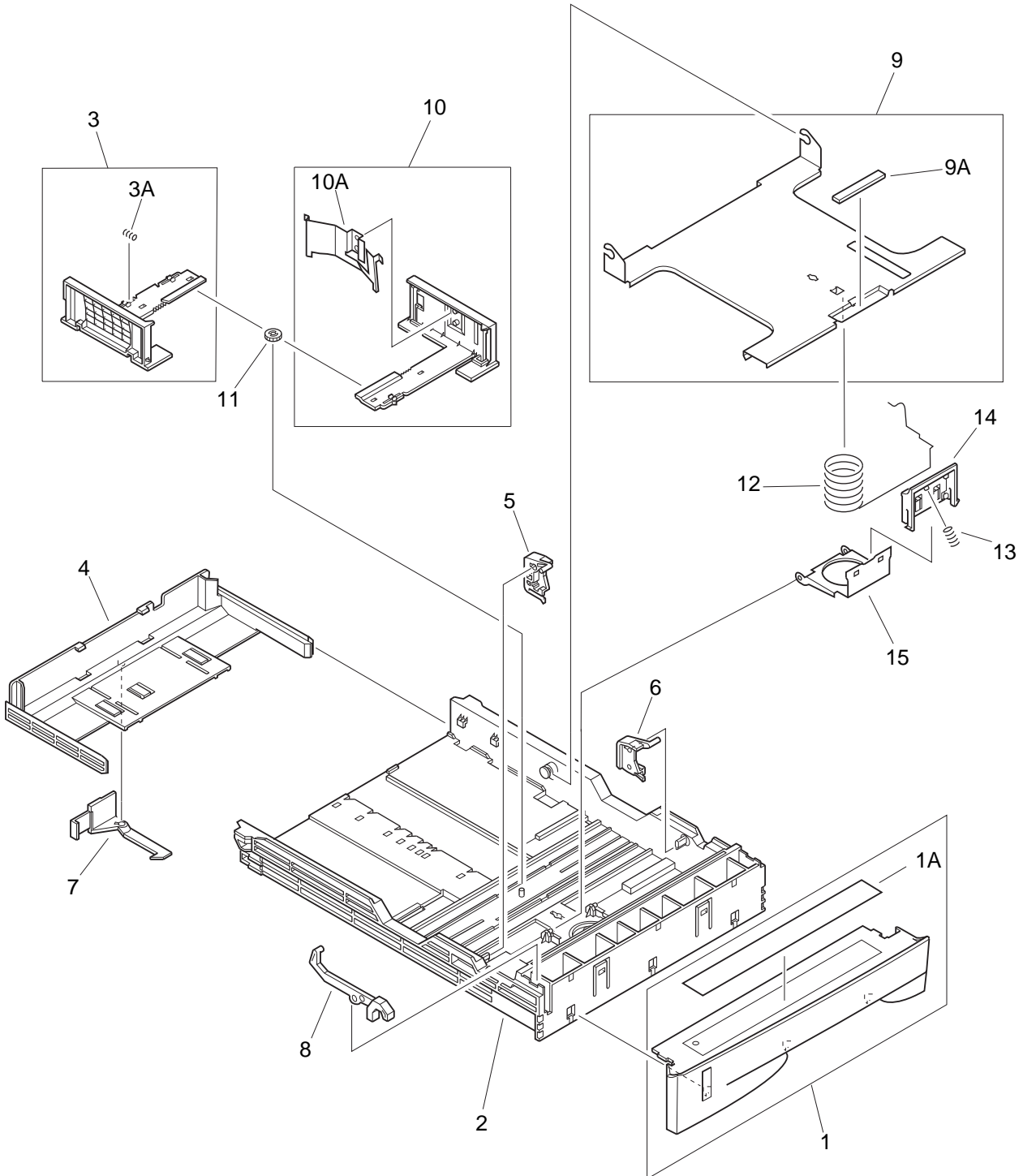


FIGURE & KEY NO.	PART NUMBER	RANK	QTY	DESCRIPTION	SERIAL NUMBER / REMARKS
R30 -	NPN		RF	CASSETTE	
1	RF5-2616-000		1	COVER, FRONT	
1A	RB2-3161-000		1	LABEL, "SIZE"	
2	RB2-3001-020	N	1	BODY, CASSETTE	
3	RG5-4159-000		1	LEFT SIDE PLATE ASS'Y	
3A	RS6-2035-000		1	SPRING, COMPRESSION	
4	RB2-3003-020		1	PLATE, END	
5	RB2-3004-000		1	ARM, RELEASE, LEFT	
6	RB2-3005-000		1	ARM, RELEASE, RIGHT	
7	RB2-3009-000		1	ARM, LOCK	
8	RB2-3142-000		1	ARM, PAPER LEVEL	
9	RF5-2599-000		1	PLATE, PAPER LIFTING	
9A	RB2-3007-000		1	SHEET, SEPARATION	
10	RF5-2606-000		1	RIGHT SIDE PLATE ASS'Y	
10A	RB2-3012-000		1	SPRING, LEAF	
11	RS6-0440-000		1	GEAR, 10T	
12	RS6-2020-000		1	SPRING, COMPRESSION	
13	RS6-2021-000		1	SPRING, COMPRESSION	
14	RB2-3008-000		1	PAD, SEPARATION	
15	RB2-3013-000		1	HOLDER, SEPARATION PAD	

FIGURE R90 PCB ASS'Y LOCATION DIAGRAM

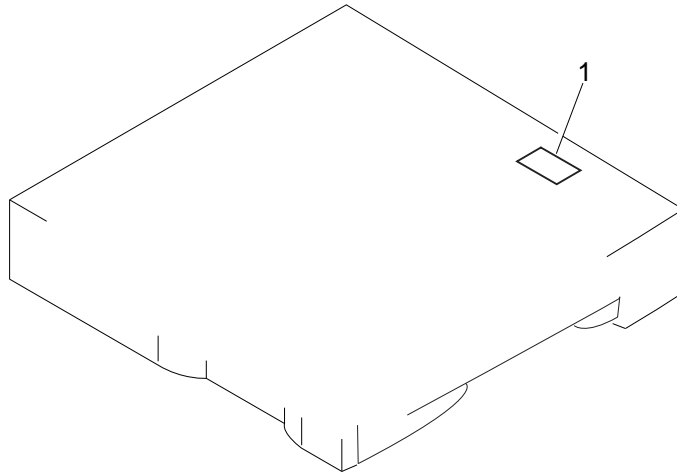


FIGURE & KEY NO.	PART NUMBER	RANK	QTY	DESCRIPTION	SERIAL NUMBER / REMARKS
R90 - 1	NPN RG5-4277-000		RF 1	PCB ASS'Y LOCATION DIAGRAM PAPER FEEDER DRIVER PCB ASS'Y	

B NUMERICAL INDEX

PART NUMBER	FIGURE & KEY NO.	PART NUMBER	FIGURE & KEY NO.	PART NUMBER	FIGURE & KEY NO.
4A1-5289-000	R10 - 5	RB2-3001-020	R30 - 2	RF5-2608-000	320 - 12
RB1-2190-000	103 - 2A	RB2-3003-020	300 - 4	RF5-2609-000	810 - 16
	R25 - 1		R30 - 4	RF5-2610-000	320 - 2
RB1-6133-000	R25 - 5	RB2-3004-000	300 - 5	RF5-2611-000	104 - 35
RB2-2812-000	102 - 3		R30 - 5	RF5-2615-000	115 - 4
RB2-2816-000	103 - 12	RB2-3005-000	300 - 6	RF5-2616-000	300 - 1
	R10 - 1		R30 - 6		R30 - 1
RB2-2817-000	102 - 2	RB2-3007-000	300 - 9A	RF5-2755-000	R25 - 12
RB2-2818-000	104 - 23		R30 - 9A	RG1-4008-000	900 - 3
RB2-2825-000	104 - 15	RB2-3008-000	300 - 14	RG1-4009-000	900 - 4
RB2-2826-000	102 - 7		R30 - 14	RG1-4010-000	900 - 5
RB2-2828-000	104 - 7	RB2-3009-000	300 - 7	RG5-4119-000	103 - 4
RB2-2829-000	104 - 8		R30 - 7	RG5-4127-060	310 -
RB2-2830-020	103 - 14	RB2-3012-000	300 - 10A	RG5-4128-000	103 - 1
RB2-2831-020	103 - 15		R30 - 10A	RG5-4129-000	320 -
RB2-2832-000	103 - 9	RB2-3013-000	300 - 15	RG5-4133-060	810 -
RB2-2835-000	104 - 1		R30 - 15	RG5-4135-040	810 - 18
RB2-2836-000	102 - 17	RB2-3020-020	110 - 1	RG5-4140-000	250 - 26
RB2-2837-000	102 - 18	RB2-3021-000	110 - 2	RG5-4141-000	810 - 19
RB2-2838-020	104 - 18	RB2-3022-000	110 - 3	RG5-4156-000	103 - 2
RB2-2842-000	103 - 10	RB2-3023-000	110 - 4	RG5-4159-000	300 - 3
RB2-2843-000	103 - 11	RB2-3040-000	103 - 17		R30 - 3
RB2-2845-000	104 - 9	RB2-3043-000	103 - 18	RG5-4160-000	104 - 33
RB2-2847-000	102 - 19	RB2-3044-000	103 - 19	RG5-4164-030	103 - 8
RB2-2849-000	103 - 4A	RB2-3045-000	104 - 10	RG5-4165-000	103 - 22
RB2-2850-000	103 - 5	RB2-3046-000	104 - 19	RG5-4172-000	102 - 11
RB2-2860-000	100 - 2B	RB2-3047-000	104 - 20	RG5-4250-000	900 - 1
RB2-2877-000	100 - 7	RB2-3048-000	104 - 21	RG5-4254-000	102 - 5
RB2-2885-000	100 - 9C	RB2-3050-000	104 - 30	RG5-4255-003	102 - 6
RB2-2886-000	100 - 9D	RB2-3051-000	104 - 31	RG5-4262-000	102 - 9
RB2-2891-000	310 - 2	RB2-3054-000	104 - 27	RG5-4263-000	102 - 10
	R11 - 1	RB2-3056-000	104 - 14	RG5-4277-000	R90 - 1
RB2-2892-000	310 - 3	RB2-3057-000	104 - 28	RG5-4278-000	R11 - 11
	R11 - 2	RB2-3058-000	104 - 11	RG5-4280-000	R11 - 13
RB2-2893-000	310 - 4	RB2-3059-000	104 - 12	RG5-4281-000	R11 - 14
	R25 - 2	RB2-3060-000	104 - 29	RG5-4391-000	R25 -
RB2-2894-000	310 - 5	RB2-3073-020	104 - 13	RG5-4394-020	R10 - 6
RB2-2895-000	310 - 6	RB2-3074-000	104 - 16	RG5-5042-000	100 - 2
	R11 - 3	RB2-3075-000	104 - 6	RG5-5044-000	100 - 1
RB2-2896-000	310 - 7	RB2-3078-000	104 - 24	RG5-5048-000	100 - 9
	R11 - 4	RB2-3079-000	104 - 25	RG5-5049-000	250 -
RB2-2897-020	310 - 8	RB2-3080-000	104 - 26	RG5-5054-000	101 - 1
RB2-2898-000	310 - 9	RB2-3081-000	310 - 11	RG5-5492-000	110 - 5
RB2-2899-000	310 - 10	RB2-3082-000	310 - 12		900 - 2
RB2-2900-000	103 - 1A	RB2-3083-000	310 - 13	RG5-5493-000	110 -
RB2-2901-000	103 - 1B	RB2-3084-000	100 - 9E	RH2-5348-000	110 - 7
RB2-2902-000	103 - 1C	RB2-3134-000	100 - 2A	RH2-5352-000	102 - 13
RB2-2903-000	103 - 1D	RB2-3135-000	100 - 4	RH2-5405-000	101 - 3
RB2-2904-000	103 - 1E	RB2-3136-000	100 - 10	RH6-0183-000	101 - 2
RB2-2909-000	320 - 3	RB2-3138-000	100 - 6	RH7-1381-000	102 - 12
RB2-2910-000	320 - 4	RB2-3139-000	100 - 5	RH7-1383-000	102 - 1
RB2-2911-000	320 - 5	RB2-3140-000	100 - 3	RH7-5209-000	102 - 20
RB2-2912-000	320 - 6	RB2-3142-000	300 - 8	RH7-5211-000	102 - 4
RB2-2913-000	320 - 7		R30 - 8	RH7-5213-000	R25 - 11
RB2-2914-000	320 - 8	RB2-3144-000	115 - 1	RH7-6051-000	102 - 15
RB2-2918-000	320 - 14	RB2-3145-000	115 - 2	RS6-0440-000	300 - 11
RB2-2919-000	320 - 15	RB2-3146-000	115 - 3		R30 - 11
RB2-2920-000	320 - 9	RB2-3147-000	100 - 1A	RS6-0441-000	103 - 7
RB2-2921-000	320 - 10	RB2-3148-000	100 - 1B	RS6-0442-000	810 - 8
RB2-2922-000	320 - 11	RB2-3149-000	104 - 2	RS6-0443-000	810 - 9
RB2-2925-020	103 - 8A	RB2-3150-000	101 - 1A	RS6-0445-000	103 - 20
RB2-2926-020	103 - 16	RB2-3151-000	104 - 3	RS6-0446-000	250 - 7
RB2-2933-000	320 - 17	RB2-3153-000	100 - 9A	RS6-0447-000	250 - 8
RB2-2935-000	250 - 1	RB2-3154-000	100 - 9B	RS6-0448-000	250 - 9
RB2-2936-000	250 - 2	RB2-3158-000	115 - 5	RS6-0449-000	250 - 10
RB2-2937-000	250 - 3	RB2-3161-000	300 - 1A	RS6-0450-000	250 - 11
RB2-2938-000	250 - 27		R30 - 1A	RS6-0451-000	250 - 12
RB2-2939-000	250 - 4	RB2-3474-000	R11 - 5	RS6-0452-000	250 - 5
RB2-2943-000	250 - 19	RB2-3475-000	R25 - 3	RS6-0453-000	250 - 13
RB2-2947-000	250 - 21	RB2-3478-000	R25 - 4	RS6-0454-000	250 - 18
RB2-2948-000	250 - 22	RB2-3479-000	R10 - 4	RS6-0455-000	250 - 14
RB2-2949-000	250 - 23	RB2-3481-000	R25 - 13	RS6-0456-000	250 - 15
RB2-2950-000	250 - 24	RB2-3484-020	R10 - 6A	RS6-0457-000	250 - 16
RB2-2973-000	810 - 2	RB2-3485-020	R10 - 6B	RS6-0458-000	810 - 10
RB2-2974-000	810 - 3	RB2-3486-000	R11 - 16	RS6-0459-000	103 - 8B
RB2-2975-000	810 - 4	RB2-3487-000	R11 - 17	RS6-0461-000	320 - 16
RB2-2977-000	810 - 19B	RB2-3489-000	R10 - 3	RS6-0462-000	310 - 14
RB2-2978-000	810 - 19A	RB2-3490-000	R11 - 18	RS6-0463-000	310 - 15
RB2-2979-000	810 - 15	RF5-2599-000	300 - 9	RS6-0464-000	104 - 17
RB2-2981-000	810 - 20		R30 - 9	RS6-0495-000	R25 - 6
RB2-2982-020	810 - 21	RF5-2601-020	810 - 6	RS6-0497-000	R25 - 7
RB2-2985-000	810 - 5	RF5-2603-000	810 - 7	RS6-0498-000	R25 - 8
RB2-2986-000	810 - 14	RF5-2604-000	103 - 6	RS6-0499-000	R25 - 14
RB2-2990-000	810 - 1	RF5-2606-000	300 - 10	RS6-0500-000	R25 - 15
RB2-3001-020	300 - 2		R30 - 10	RS6-0501-000	R11 - 10

PART NUMBER	FIGURE & KEY NO.	PART NUMBER	FIGURE & KEY NO.	PART NUMBER	FIGURE & KEY NO.
RS6-2020-000	300 - 12				
	R30 - 12				
RS6-2021-000	300 - 13				
	R30 - 13				
RS6-2022-000	103 - 21				
RS6-2023-000	103 - 13				
RS6-2024-000	104 - 4				
RS6-2025-000	103 - 3				
RS6-2026-000	320 - 1				
RS6-2027-020	250 - 20				
RS6-2029-000	810 - 11				
RS6-2030-000	104 - 5				
RS6-2031-000	250 - 25				
RS6-2033-000	104 - 22				
RS6-2034-000	310 - 16				
RS6-2035-000	300 - 3A				
	R30 - 3A				
	320 - 13				
RS6-2036-000	R25 - 9				
RS6-2061-000	R25 - 10				
RS6-2062-000	R10 - 6C				
RS6-2063-000	R11 - 15				
RS6-2064-000	110 - 5A				
VD7-0646-301	102 - 8				
VS1-6173-006	R11 - 12				
VS1-6174-006	102 - 21				
WE8-5173-000	102 - 16				
WG8-5382-000	810 - 17				
	R11 - 9				
	R25 - 17				
WT2-5300-000	115 - 6				
XA9-0267-000	104 - 34				
XA9-0439-000	102 - 14				
XA9-0601-000	R10 - 2				
XA9-0605-000	R11 - 6				
	250 - 17				
XA9-0836-000	810 - 12				
	250 - 6				
XA9-0904-000	110 - 6				
	810 - 13				
	R11 - 7				
	100 - 8				
XA9-1062-000	103 - 23				
	310 - 501				
XB1-2300-407	250 - 501				
XB2-7300-407	102 - 501				
XB2-7300-607	R11 - 501				
XB2-7400-607	115 - 501				
XB4-7301-007	101 - 501				
XB4-7401-007	102 - 504				
	104 - 501				
	103 - 501				
XB4-7401-009	101 - 502				
XB4-7401-607	102 - 503				
XB6-7300-406	102 - 502				
XB6-7300-407	115 - 502				
XB6-7400-605	R25 - 501				
XB6-7400-609	104 - 32				
XD9-0134-000	310 - 1				
XD9-0135-000	R11 - 8				
XD9-0136-000	R25 - 16				
	103 - 1F				
XD9-0159-000					

Prepared by
Peripheral Products Quality Planning Div.
Peripheral Products Technical Documentation Dept.
CANON INC.
Printed in Japan

REVISION 0 [FEB. 2000]

5-1, Hakusan 7-chome, Toride-shi, Ibaraki 302-8501, Japan



The printing paper contains
70% waste paper.

Canon